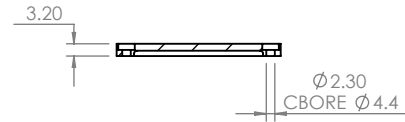


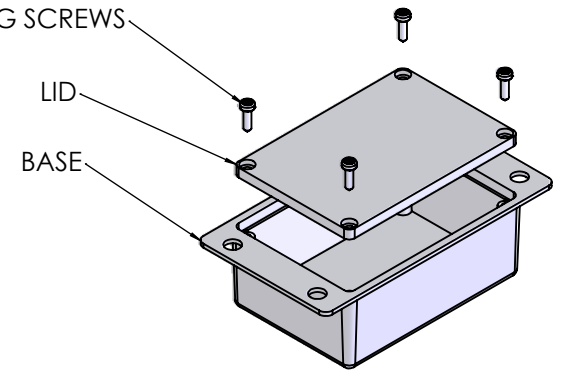
OVERALL ASSEMBLY DIMENSIONS:  
 EXTERNAL - 65.6 (85.9) x 45.5 (48.3) x 25.7  
 INTERNAL - 61.9 x 41.8 x 20.75



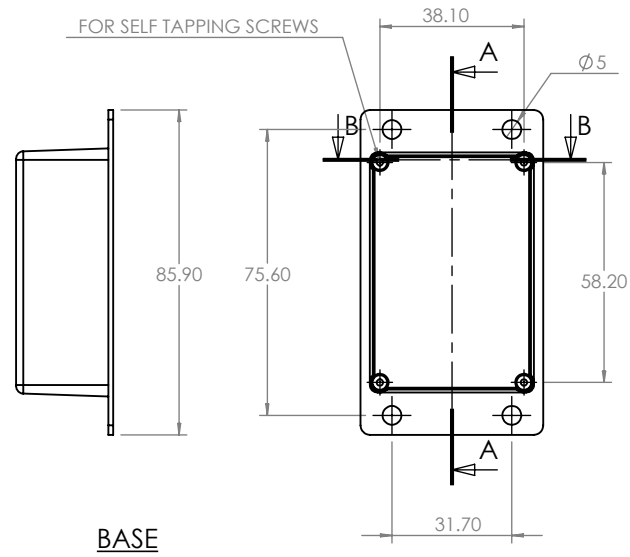
SECTION B-B



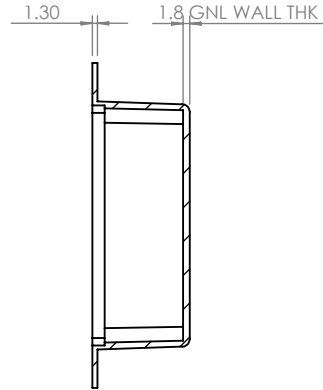
SECTION C-C



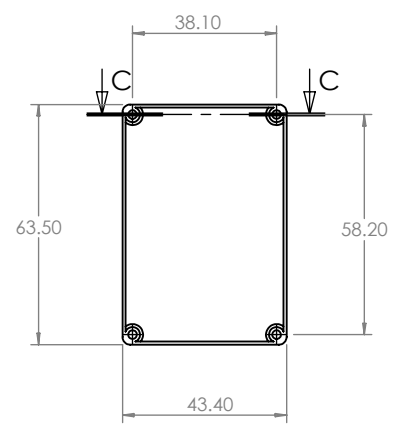
ISO VIEW



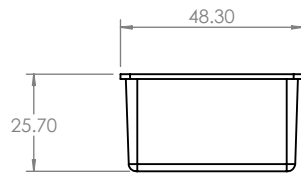
BASE



SECTION A-A



LID



		UNLESS OTHERWISE SPECIFIED: DIMENSIONS ARE IN MILLIMETERS		DO NOT SCALE DRAWING	REVISION. A
		FINISH. LIGHT SPARK		TITLE: ASSEMBLY DRG FOR 509	
JAMES CARTER RD, MILDENHALL, SUFFOLK. IP28 7DE TEL: 01638 716101 FAX: 01638 716554 EMAIL: SALES@CAMDENBOSS.COM WEB: www.CAMDENBOSS.COM		MATERIAL. ABS	DWG NO. RX509A	A4	
DRAWN	S.HARDINGE	SJH	21/06/06	SCALE: 1 : 2	SHEET 1 OF 1
CHKD	-	-	-	PROJECTION.	