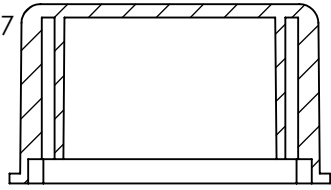


OVERALL ASSEMBLY DIMENSIONS:

EXTERNAL - 55.7 (76) x 39.6 (42.4) x 23.7

INTERNAL - 52 x 36 x 18.75

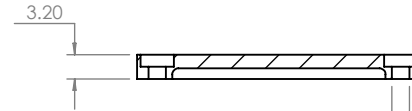


SECTION B-B

SELF TAPPING SCREW

LID

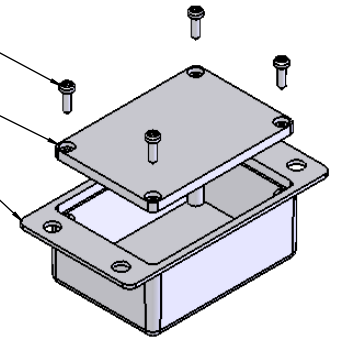
BASE



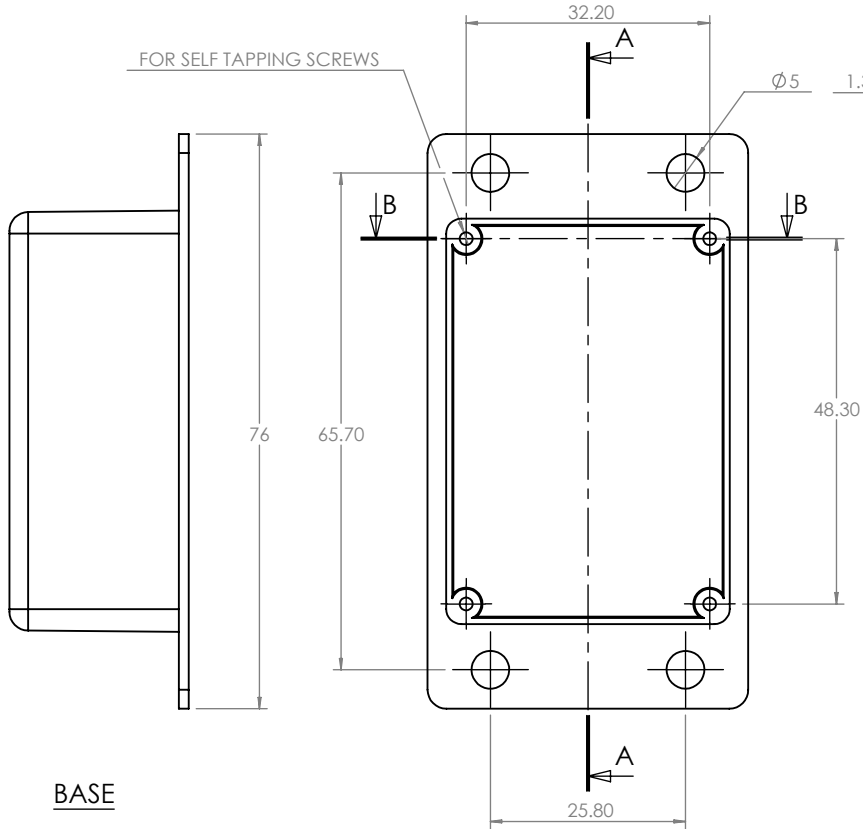
SECTION C-C

Ø2.30
CBORE Ø4.4

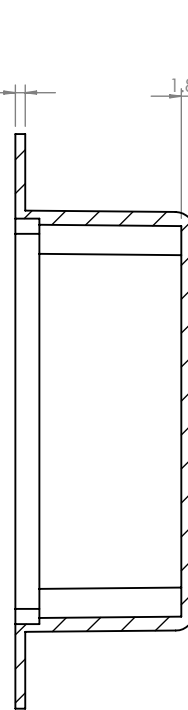
ISO VIEW
1:2



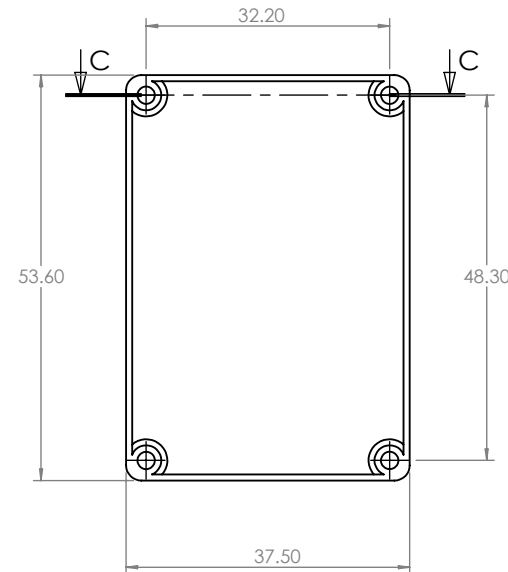
FOR SELF TAPPING SCREWS



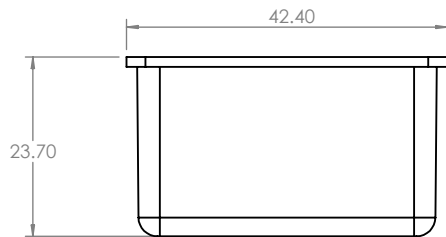
BASE



SECTION A-A



LID



CAMDENBOSS
ELECTRONICS & ENCLOSURES

JAMES CARTER RD, MILDENHALL, SUFFOLK, IP28 7DE
TEL: 01 638 716101 FAX: 01 638 716554
EMAIL: SALES@CAMDENBOSS.COM
WEB: WWW.CAMDENBOSS.COM

UNLESS OTHERWISE SPECIFIED:
DIMENSIONS ARE IN MILLIMETERS

DO NOT SCALE DRAWING

REVISION. 0

FINISH.
LIGHT SPARK

TITLE:

ASSEMBLY DRG FOR 508

	NAME	SIGNED	DATE
DRAWN	S.HARDINGE	SJH	22/06/06
CHKD	-	-	-

MATERIAL.
ABS

DWG NO.

508

A4

PROJECTION.

SCALE. 1 : 1

SHEET 1 OF 1