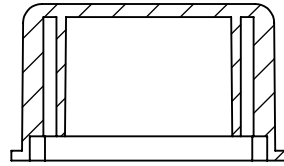


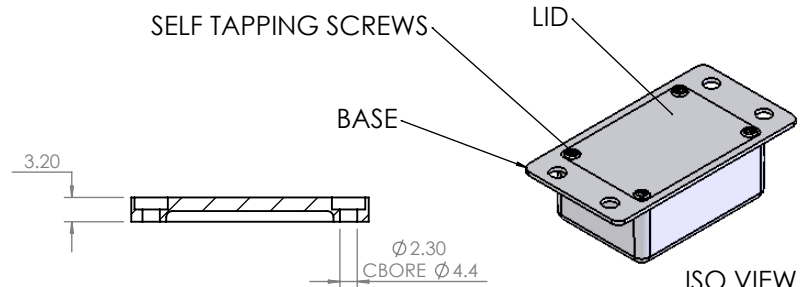
OVERALL ASSEMBLY DIMENSIONS:

EXTERNAL - 47.7 (68) x 33.5 (36.3) x 20.7

INTERNAL - 44 x 29.8 x 15.75

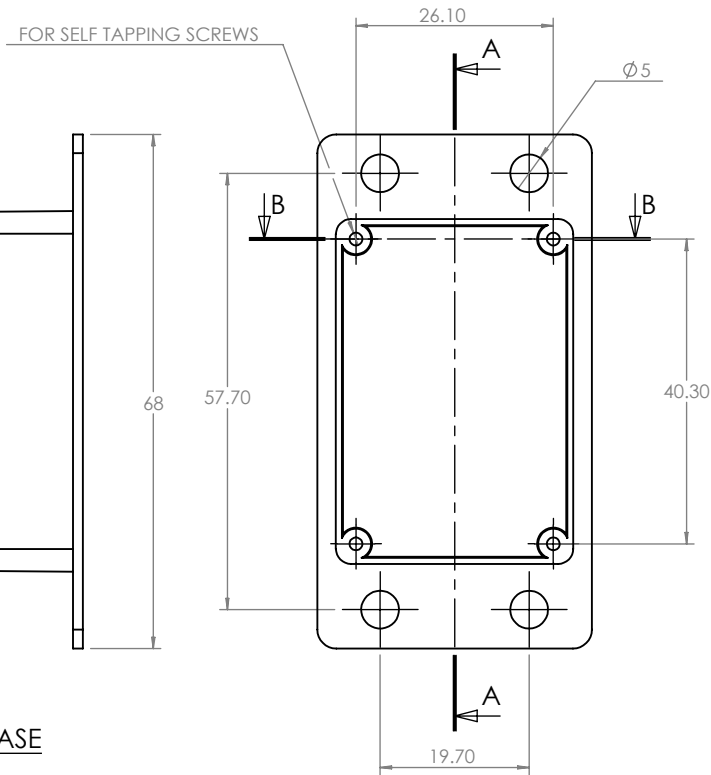


SECTION B-B

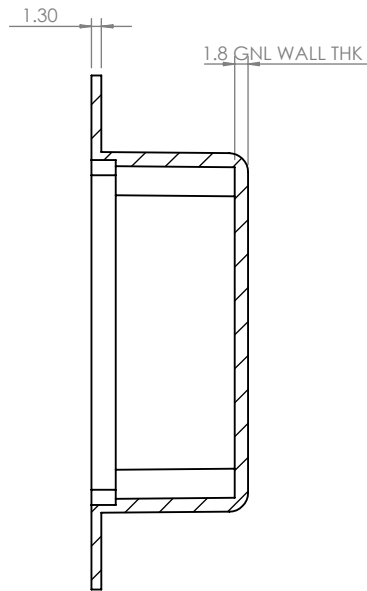


SECTION C-C

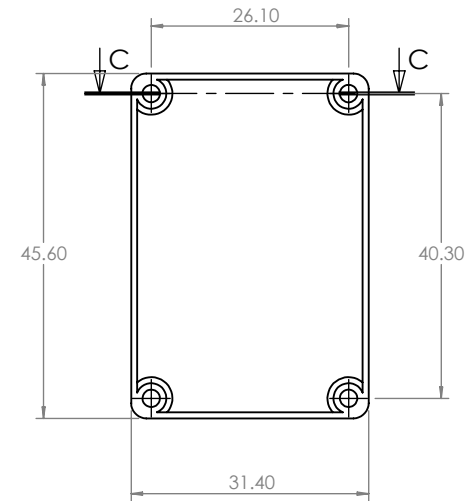
ISO VIEW
1:2



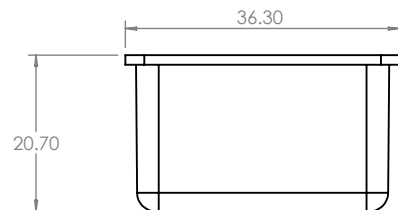
BASE



SECTION A-A



LID



<p>UNLESS OTHERWISE SPECIFIED: DIMENSIONS ARE IN MILLIMETERS</p>		DO NOT SCALE DRAWING	REVISION. O
		TITLE: ASSEMBLY DRG FOR 507	
JAMES CARTER RD, MILDENHALL, SUFFOLK. IP28 7DE TEL: 01 638 716101 FAX: 01 638 716554 EMAIL: SALES@CAMDENBOSS.COM WEB: WWW.CAMDENBOSS.COM		FINISH: LIGHT SPARK	DWG NO. 507
NAME	SIGNED	DATE	MATERIAL. ABS
DRAWN S.HARDINGE	SJH	22/06/06	PROJECTION.
CHKD -	-	-	SCALE. 1 : 1
			SHEET 1 OF 1

A4