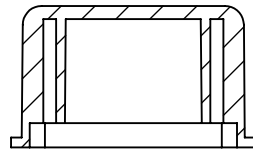


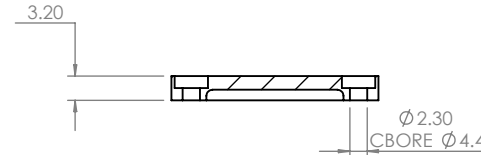
OVERALL ASSEMBLY DIMENSIONS:

EXTERNAL - 41.7 (62) x 29.5 (32.3) x 18.7

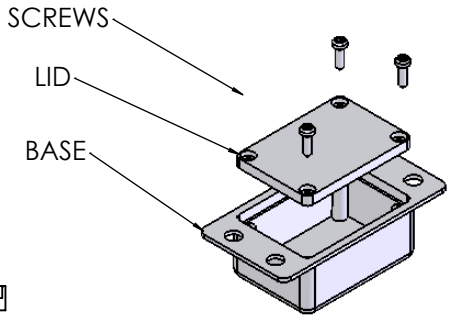
INTERNAL - 38 x 25.8 x 13.75



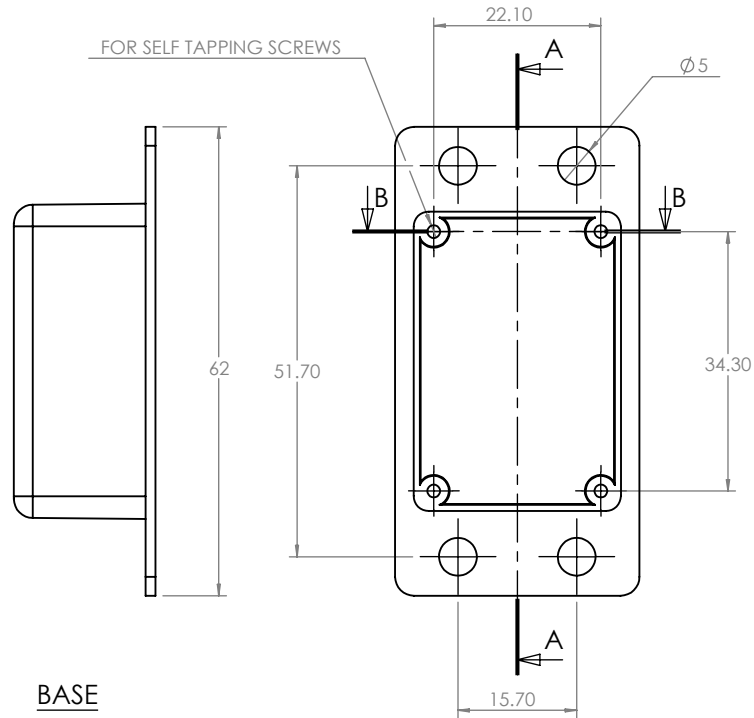
SECTION B-B



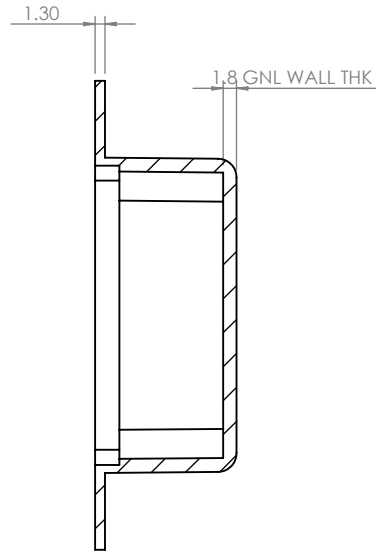
SECTION C-C



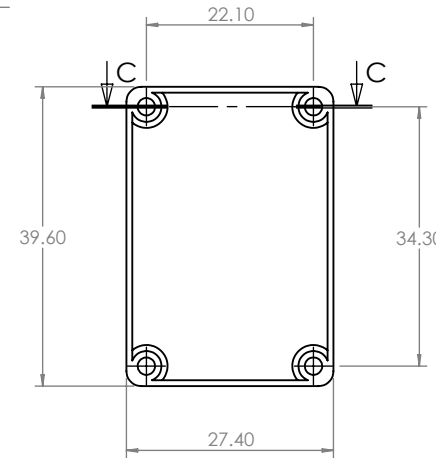
ISO VIEW
1:2



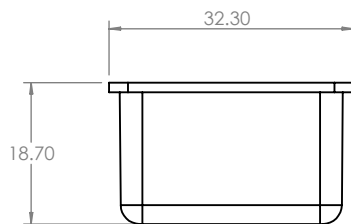
BASE



SECTION A-A



LID



		UNLESS OTHERWISE SPECIFIED: DIMENSIONS ARE IN MILLIMETERS		DO NOT SCALE DRAWING	REVISION. 0
		FINISH: LIGHT SPARK		TITLE: ASSEMBLY DRG FOR 506	
JAMES CARTER RD, MILDENHALL, SUFFOLK, IP28 7DE TEL: 01 638 716101 FAX: 01 638 716554 EMAIL: SALES@CAMDENBOSS.COM WEB: WWW.CAMDENBOSS.COM		MATERIAL: ABS	DWG NO. 506	A4	
DRAWN S.HARDINGE	SIGNED SJH	DATE 22/06/06	PROJECTION. 	SCALE: 1 : 1	SHEET 1 OF 1