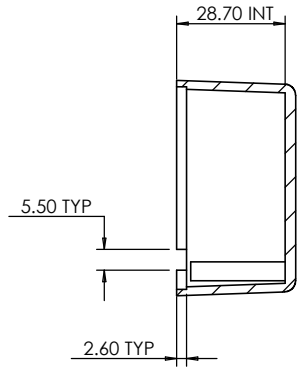


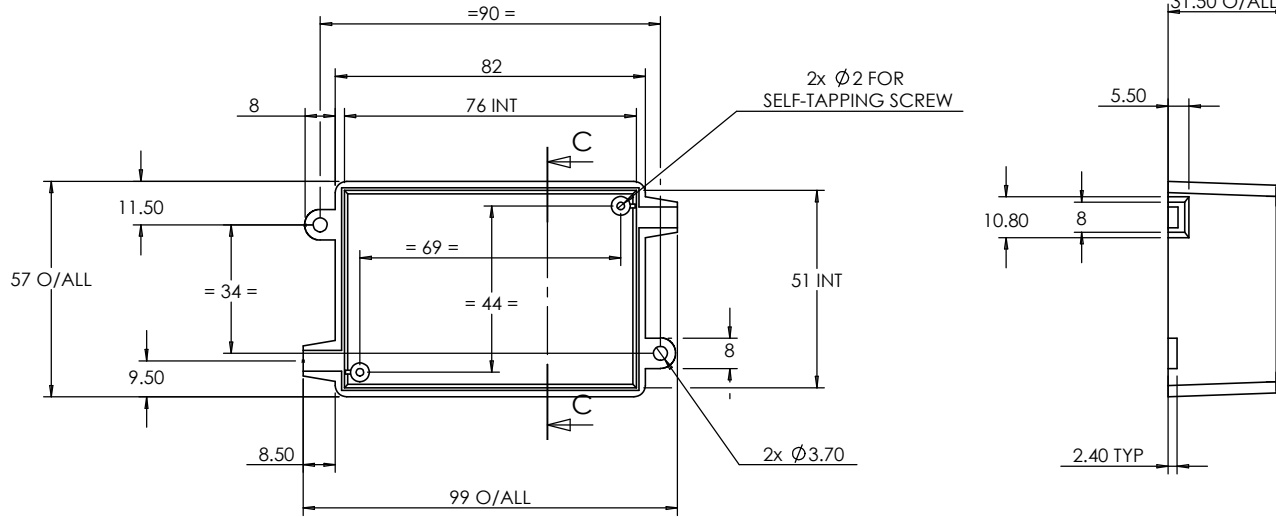
OVERALL ASSEMBLY DIMENSIONS:

EXTERNAL - 99 x 57 x 33.9

INTERNAL - 76 x 51 x 28.70

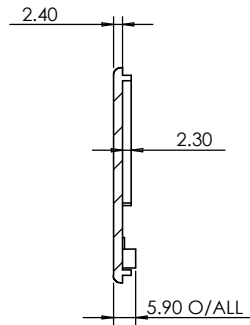
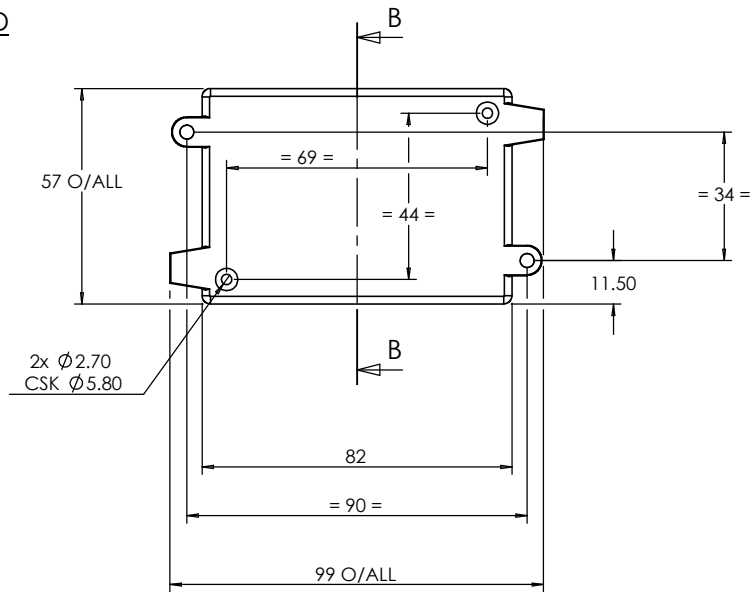


SECTION C-C



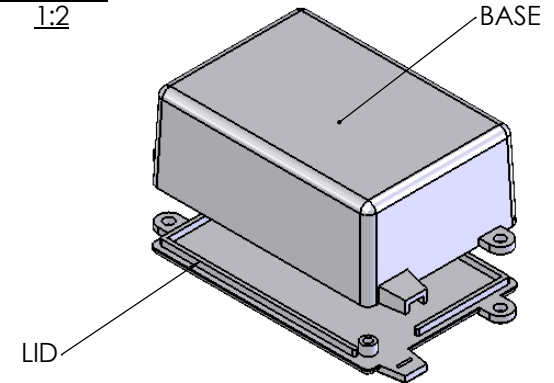
BASE

LID



SECTION B-B

ISO VIEW
1:2



		UNLESS OTHERWISE SPECIFIED: DIMENSIONS ARE IN MILLIMETERS		DO NOT SCALE DRAWING	REVISION. 0
		FINISH. FINE SPARK		TITLE: ASSEMBLY DRG FOR 400-019	
JAMES CARTER RD, MILDENHALL, SUFFOLK, IP28 7DE TEL: 01638 716101 FAX: 01638 716554 EMAIL: Sales@CamdenBoss.com WEB: www.CamdenBoss.com		MATERIAL. ABS		DWG NO. 400-019	
DRAWN	NAME SUBKHANKULOVA	SIGNED LS	DATE 05/06/09	SCALE: 1:2	
CHKD	NAME STUART HARDINGE	SIGNED SJH	DATE 05/06/09	SHEET 1 OF 1	

A4