



002

PCB TERMINAL
BLOCKS

081

TERMINAL STRIPS

095

WIRE TO BOARD
CONNECTORS

100

CIRCULAR
CONNECTORS

151


IP68 CONNECTORS

158

INTERFACE
MODULES AND
RELAY BASES

3.81mm pitch pluggable screwless terminal blocks

Product overview

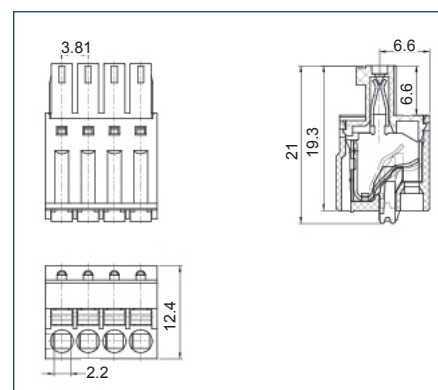
- 2-12 pole solid block
- Screwless connection
- Moulded in green UL94-V0 flame retardant PA66
- Cable acceptance - 0.08 to 1.31mm² (28-16 AWG) solid and stranded cable
- Compatible with all 3.81mm pluggable male headers
- Pluggable female connectors
-  approved

SPECIFICATION

Rating	UL=8A/300V, IEC=10A/250V
Insulation resistance	500M Ω /500V
Withstand voltage	AC2000V/1min
Contact resistance	20m Ω (max)
Working temperature	-40°C to +105°C
Moulding	UL94-V0, flame retardant PA66
Spring	Stainless steel
Contact	Bronze, Ni plated

PART NO.	POLES	LENGTH
CSTBP92HE/2	2	8.41mm
CSTBP92HE/3	3	12.22mm
CSTBP92HE/4	4	16.03mm
CSTBP92HE/5	5	19.84mm
CSTBP92HE/6	6	23.65mm
CSTBP92HE/7	7	27.46mm
CSTBP92HE/8	8	31.27mm
CSTBP92HE/9	9	35.08mm
CSTBP92HE/10	10	38.89mm
CSTBP92HE/11	11	42.7mm
CSTBP92HE/12	12	46.51mm

CSTBP92HE



ASSOCIATED PRODUCTS

CSTBP92HE mates with male terminal blocks CTB93HE and CTBP93VE.

CTBP93HE - page 61

CTBP93VE - page 61