



3.5mm pitch pluggable screwless terminal blocks

Product overview

- 2-12 pole solid block
- Screwless connection
- Moulded in green UL94-V0 flame retardant PA66
- Cable acceptance- 0.08 to 1.31mm² (28-16 AWG) solid and stranded cable
- Compatible with all 3.5mm pluggable male headers
- Pluggable female connectors
- Polarised mouldings
- approved

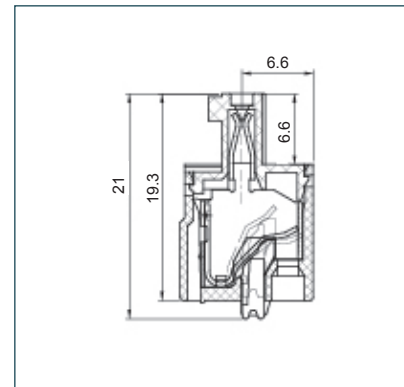
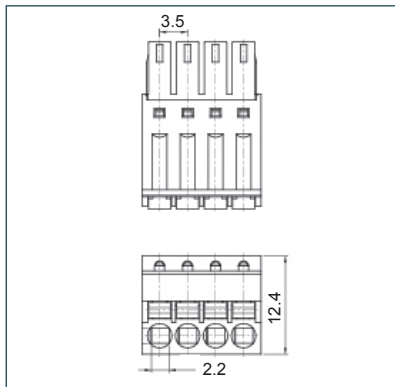
CSTBP92HD



SPECIFICATION

Rating	UL=8A/300V, IEC=10A/250V
Insulation resistance	500M Ω /500V
Withstand voltage	AC2000V/1min
Contact resistance	20m Ω (max)
Working temperature	-40°C to +105°C
Moulding	UL94-V0, flame retardant PA66
Spring	Stainless steel
Contact	Bronze, Ni plated

PART NO.	POLES	LENGTH
CSTBP92HD/2	2	7.9mm
CSTBP92HD/3	3	11.4mm
CSTBP92HD/4	4	14.9mm
CSTBP92HD/5	5	18.4mm
CSTBP92HD/6	6	21.9mm
CSTBP92HD/7	7	25.4mm
CSTBP92HD/8	8	28.9mm
CSTBP92HD/9	9	32.4mm
CSTBP92HD/10	10	35.9mm
CSTBP92HD/11	11	39.4mm
CSTBP92HD/12	12	42.9mm



MATING PRODUCTS

CSTBP92HD mates with male terminal blocks:

CTBP93HD - page 59

CTBP93VD - page 59