

# PCB TERMINAL BLOCKS

## 10mm Pitch Pluggable for Vertical or 90° mounting Screw Terminal

- 2-12 pole interlocking
- Pluggable via header pins
- Test probe facility
- Dual horizontal or vertical mounting
- Moulded in black UL94-V0 flame retardant glass filled Polyester
- Wire protector terminals
- 1.5mm<sup>2</sup> cable entry
- Captive screws
- CE approved

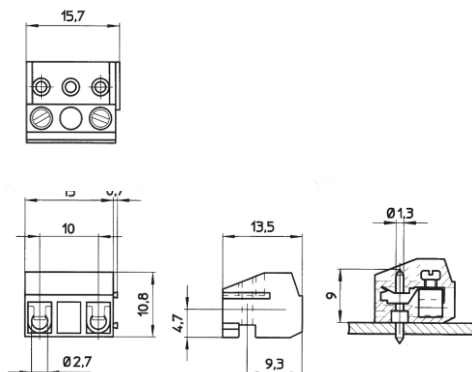
CTB2301



### SPECIFICATION

Rating	10A/630V
Dielectric strength	≥2kV
Working temperature	110°C
Moulding	UL94-V0 flame retardant glass filled polyester
Terminal	Tinned, nickel plated brass
Screw/torque	M2.5 steel zinc plated, 0.4Nm
Recommended PCB hole size	ø1.3mm

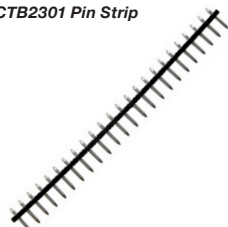
TYPE NO.	POLES	LENGTH
CTB2301/1A	1	10mm
CTB2301/1A/15	1	15mm
CTB2301/2A	2	15mm
CTB2301/3A	3	25mm
CTB2301/4A	4	35mm
CTB2301/5A	5	45mm
CTB2301/6A	6	55mm
CTB2301/7A	7	65mm
CTB2301/8A	8	75mm
CTB2301/9A	9	85mm
CTB2301/10A	10	95mm
CTB2301/11A	11	105mm
CTB2301/12A	12	115mm



## 10mm Pitch 12 Pin Strip Header

- Supplied as 12 way
- Easily cut to required length
- Can be supplied pre-cut
- Flame retardant Polyester material
- Anti-solder wicking
- Guided pin alignment
- Single pin available (CTB2301P)

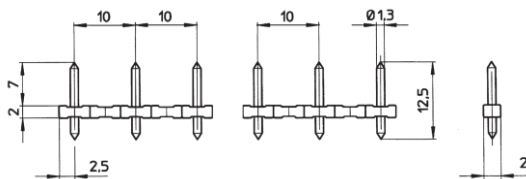
CTB2301 Pin Strip



TYPE NO.	POLES
CTB2301P	1
CTB2301/PS12	12

### SPECIFICATION

Rating	10A/750V
Moulding	UL94-V0 flame retardant Lexan
Terminal	Tinned, nickel plated brass
Recommended PCB hole size	ø1.5mm



PCB  
TERMINAL  
BLOCKS

INTER-  
CONNECTION

FUSES &  
FUSE-  
HOLDERS

LEDs &  
INDICATORS

MINIATURE  
SWITCHES

LIMIT &  
SAFETY  
SWITCHES

CONTROL  
PRODUCTS

INTERFACE  
MODULES &  
SUPPORTS

RELAY  
BASES

ENCLOSURES

BATTERIES

TRANS-  
FORMERS