

---

**Design & development**

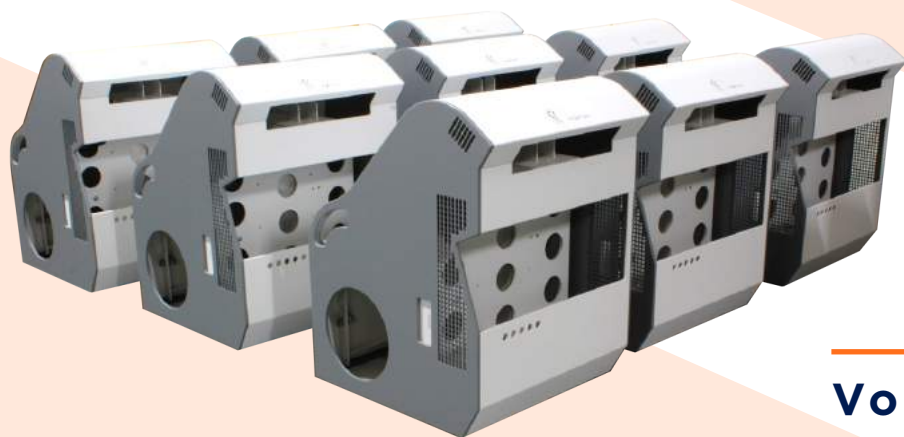
---



---

**Prototype & pre-production**

---



---

**Volume manufacture**

---



## SMARTBOXX

### Custom fabricated enclosures

We design and manufacture custom enclosure solutions, with no restriction on size or quantity at our facility in Norfolk. Using advanced 3D CAD-CAM software, CNC machinery and skilled fabricators our stated aim is to exceed your expectations. At your disposal are a range of stock materials, from economy to UL94-V0 listed grades, in numerous colours and finishes.

#### Advantages

- Rapid lead times/reduced time to market
- Cost saving - no tooling charges
- Flexible quantities - seamless transition from prototype to batch production
- Versatile - make design changes after prototyping or during prototyping

We support our customers throughout the development of their custom plastic enclosures. Ensuring a seamless transition from initial consultation, CAD-CAM, prototyping and into volume production.

Our team are encouraged to stretch boundaries, ensuring we deliver the style and function your product deserves!

Using our tooling free fabrication process, we offer rapid turn around on:

- Complete enclosure design
- Prototype manufacture
- Start-up low to medium batches
- Volume production

From start to finish you'll deal directly with one of our experienced design engineers, who will take your specification to develop a unique product solution and see it into production. We happily take on projects at every stage of development, whether that is a rough sketch, full 3D model or replacing an existing design.

### Create your own enclosure - No tooling!

## Design and development

Utilising advanced 3D CAD-CAM systems and a flexible design process we can partner your project from any start point and throughout each stage of its development.

## Prototyping

Our prototype enclosures are designed for manufacture, produced via our tooling free process and fully evaluated by our design team. Your product is ready for testing and field trails, minimising development time and pre-production costs.

## Volume production

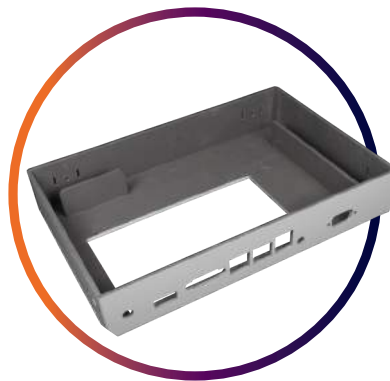
By seamlessly transitioning into production using the same technology you are able to incorporate design modifications post prototype sign-off. Produced in low to medium start-up quantities or volume production against scheduled deliveries.

**Our services are not limited to just plastic fabrication, we also offer additional solutions.**

### DIGITAL & SCREENPRINTING



### SHIELDING & WETPAINTING



### METAL PARTS & ASSEMBLY



### IPRATED ENCLOSURES



### COLOUR MATCHED MATERIALS



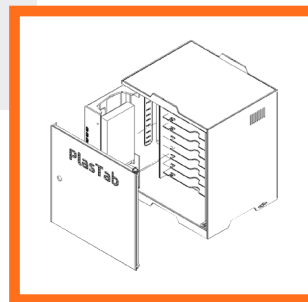
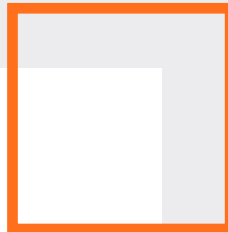
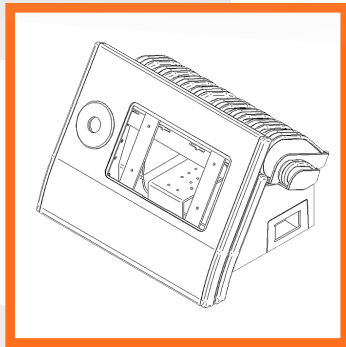
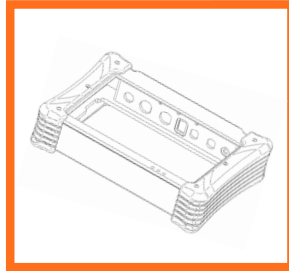
### WIRING & PRODUCT ASSEMBY



**Call our experienced technical sales team today to discuss your requirements on 01842 766557.**



SMARTBOXX





SMARTBOXX

Case study

# MODBOXX LAB CART SOLUTIONS

**This laboratory cart concept was released by our client, having previously been developed and manufactured for a number of their clients in the pharmaceutical and research industries.**

Our in-house design engineers worked closely with 'hands on' technicians, to provide a 'real world' flexible system suitable for configuring and optimising lab space.

Materials offered include Anti-microbial ABS, Trespa and Anti-bacterial PVC. Polyethylene laboratory trolleys will be available shortly following extensive trials.

Material selection paid a vital part in our engineering design, by utilising these options our customers have been able specify the build of their trolley solutions to match their exact specification.



MEDICAL  
PHARMA  
BIO TECH  
HEALTHCARE  
RESEARCH

# From Norfolk to Nagpur...

...with no tooling

