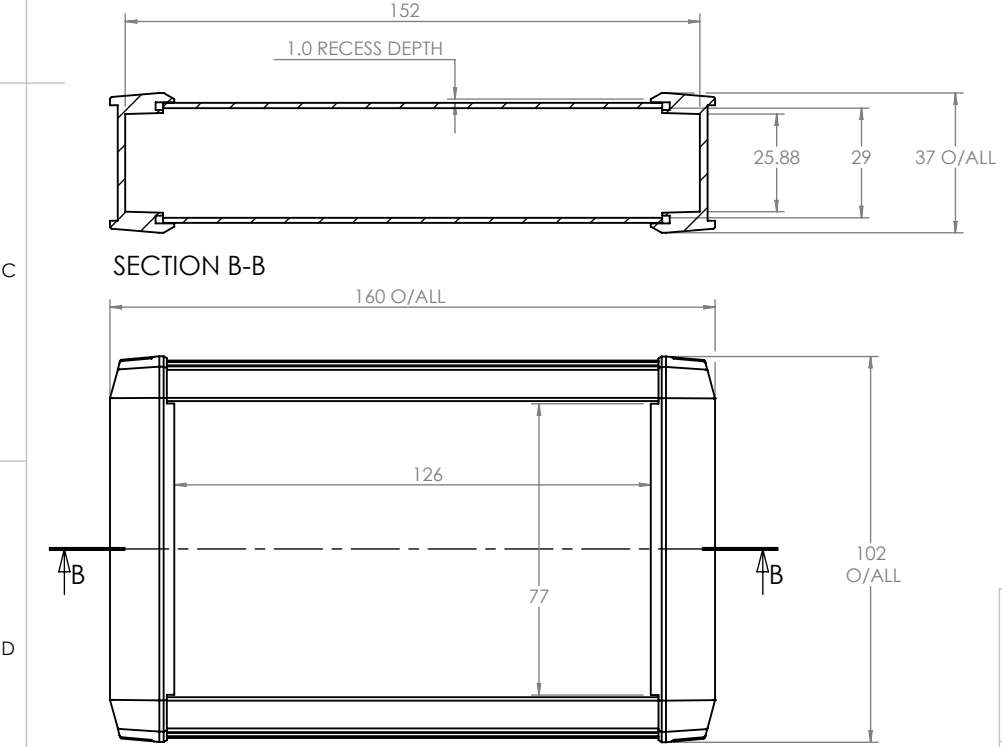
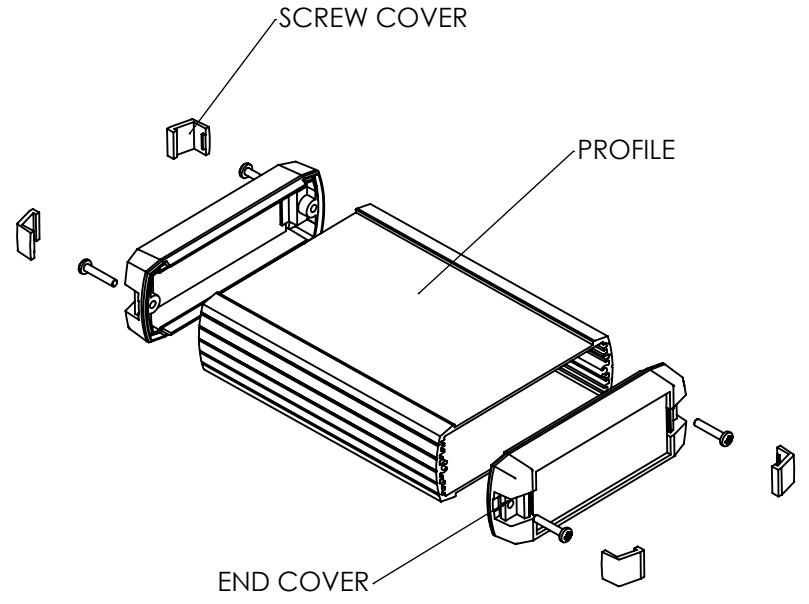


PROFILE

ASSEMBLY



ISO VIEW
1:3



		UNLESS OTHERWISE SPECIFIED: DIMENSIONS ARE IN MILLIMETERS		DO NOT SCALE DRAWING	REVISION. 0
		FINISH: EPOXY PAINT		TITLE: GNL ASSEMBLY DRG FOR 55 SERIES	
JAMES CARTER RD, MILDENHALL, SUFFOLK. IP28 7DE TEL: 01638 716101 FAX: 01638 716554 EMAIL: Sales@CamdenBoss.com WEB: www.CamdenBoss.com		MATERIAL: ALUMINIUM		DWG NO.	CEAREPB03
DRAWN	IAN PAGANO	SIGNED	I.P.	DATE	06/08/13
CHKD	-	-	-	PROJECTION.	
				SCALE: 1 : 2	SHEET 1 OF 1

A4