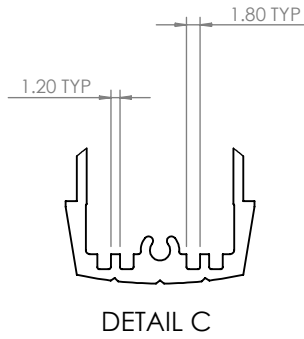
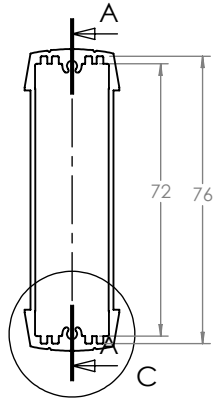
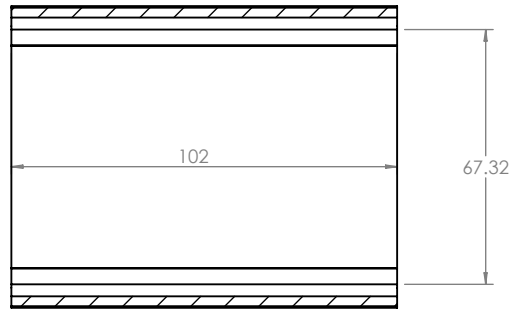
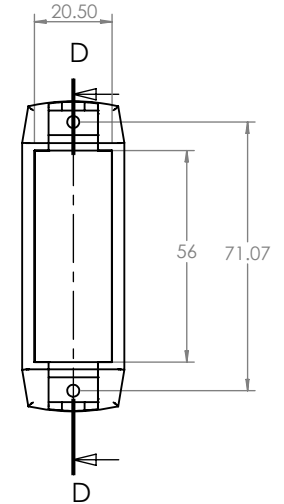
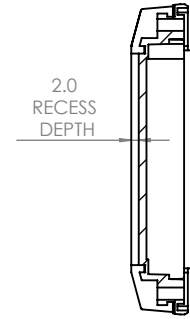


SECTION A-A



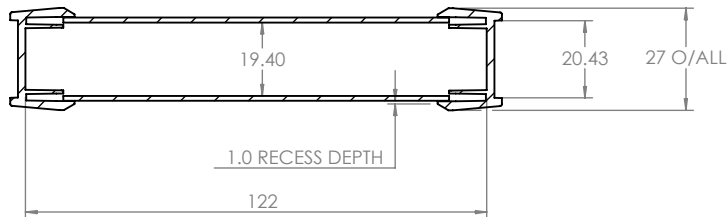
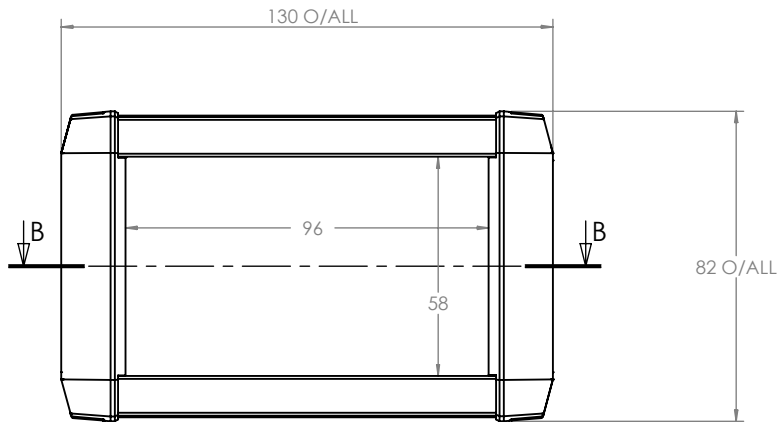
SECTION D-D



PROFILE

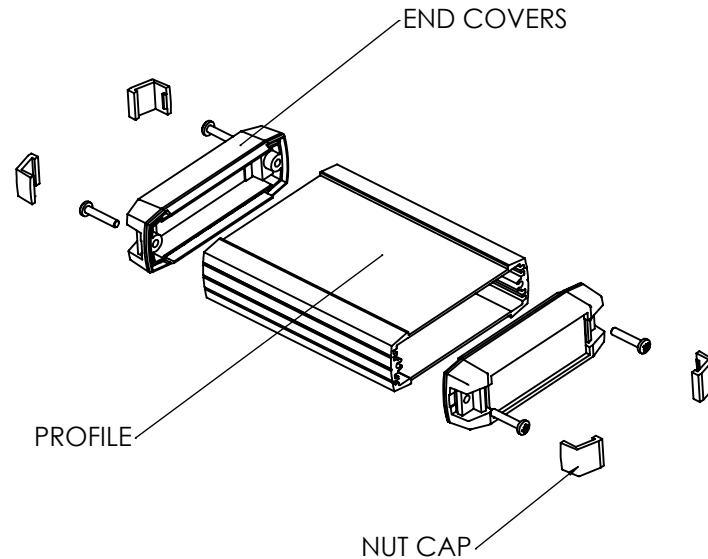
END COVER

ASSEMBLY



SECTION B-B

ISO VIEW
1:3



<p>JAMES CARTER RD, MILDENHALL, SUFFOLK, IP28 7DE TEL: 01638 716101 FAX: 01638 716554 EMAIL: Sales@CamdenBoss.com WEB: www.CamdenBoss.com</p>		UNLESS OTHERWISE SPECIFIED: DIMENSIONS ARE IN MILLIMETERS		DO NOT SCALE DRAWING	REVISION: 0
		FINISH: EPOXY PAINT		TITLE: GNL ASSEMBLY DRG FOR 55 SERIES	
DRAWN	IAN PAGANO	SIGNED	I.P.	DATE	06/08/13
CHKD	-	-	-	-	-
MATERIAL: ALUMINIUM		DWG NO. CEAREPB01		A4	
PROJECTION:		SCALE: 1:2		SHEET 1 OF 1	