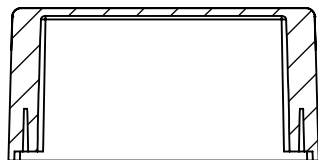


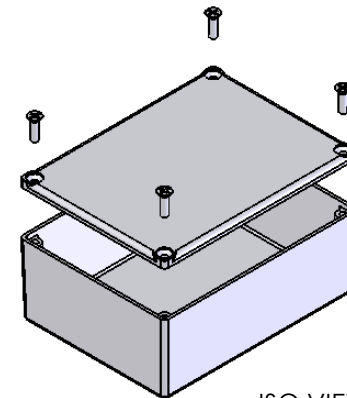
OVERALL ASSEMBLY DIMENSIONS:

EXTERNAL - 109.4 x 82 x 44.3

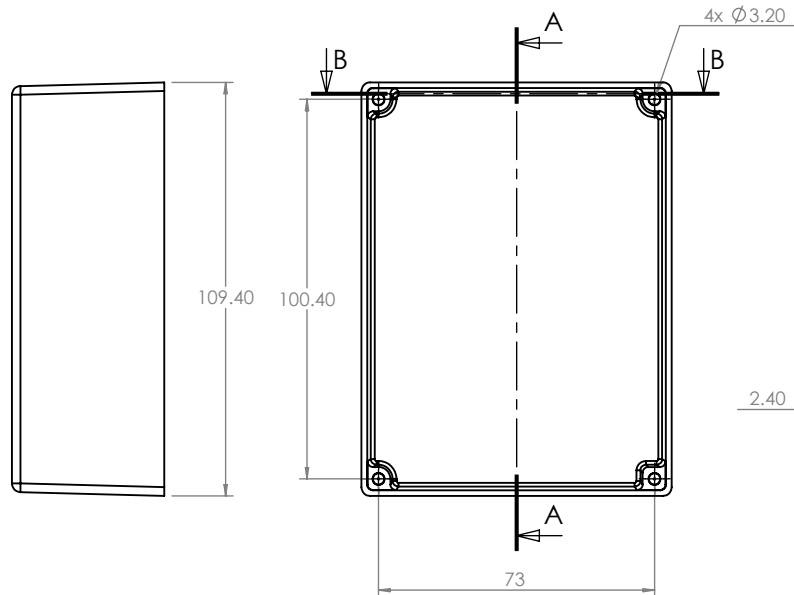
INTERNAL - 106.4 x 79 x 40.3



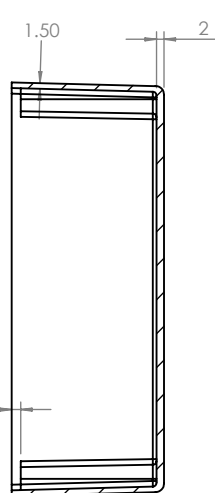
SECTION B-B



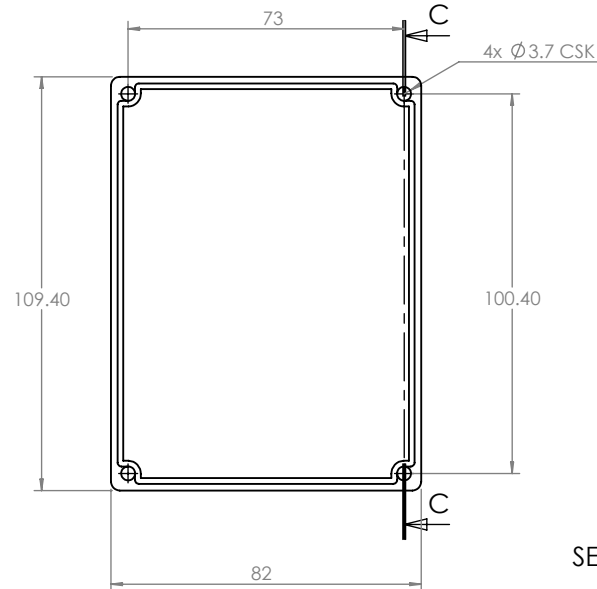
ISO VIEW
1:3



BASE

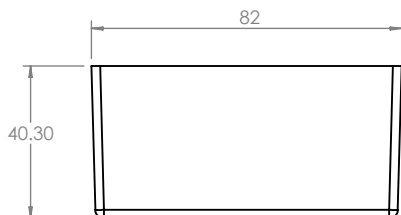


SECTION A-A



SECTION C-C

LID



		UNLESS OTHERWISE SPECIFIED: DIMENSIONS ARE IN MILLIMETERS		DO NOT SCALE DRAWING	REVISION. 0
		FINISH. SMOOTH		TITLE: ASSEMBLY DRG FOR 5100-471	
JAMES CARTER RD, MILDENHALL, SUFFOLK. IP28 7DE TEL: 01 638 716101 FAX: 01 638 716554 EMAIL: SALES@BOSS-ENCLOSURES.CO.UK WEB: www.BOSS-ENCLOSURES.CO.UK		MATERIAL. DIE-CAST ALUMINIUM		DWG NO. 5100-471	A4
DRAWN	S.HARDINGE	SIGNED	SJH	DATE	08/12/05
CHKD	-	-	-	PROJECTION.	
				SCALE: 1 : 2	SHEET 1 OF 1