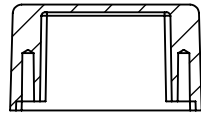


OVERALL ASSEMBLY DIMENSIONS:

EXTERNAL - 50.6 x 50.6 x 32

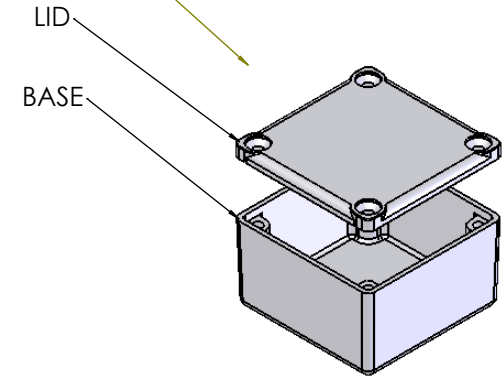
INTERNAL - 47.6 x 47.6 x 28



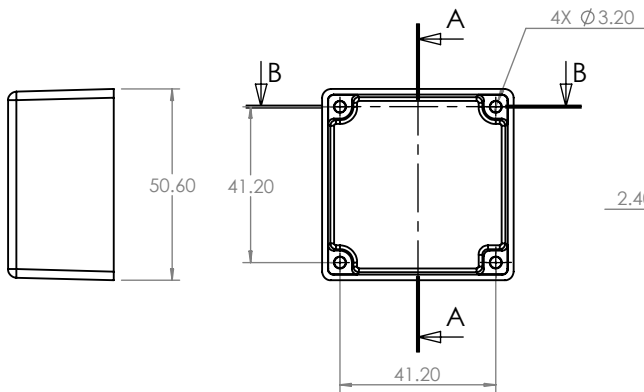
SECTION B-B



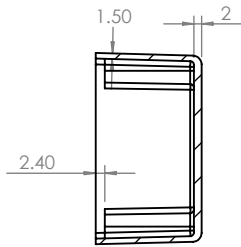
SELF TAPPING SCREW



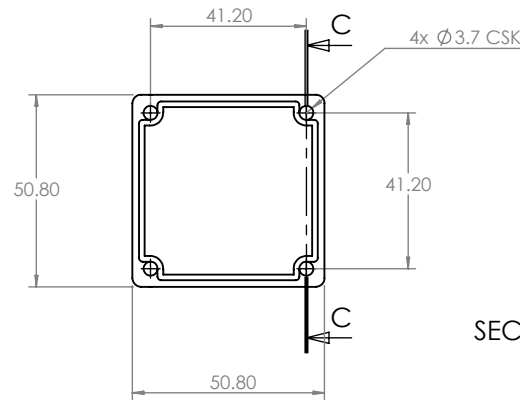
ISO VIEW



BASE

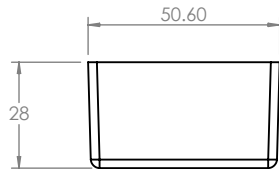


SECTION A-A



LID

SECTION C-C



**CAMDENBOSS**  
ELECTRONICS & ENCLOSURES

JAMES CARTER RD, MILDENHALL, SUFFOLK. IP28 7DE  
TEL: 01638 716101 FAX: 01638 716554  
EMAIL: Sales@CamdenBoss.com  
WEB: www.CamdenBoss.com

UNLESS OTHERWISE SPECIFIED:  
DIMENSIONS ARE IN MILLIMETERS

FINISH.  
SMOOTH

MATERIAL.  
DIE-CAST ALUMINIUM

PROJECTION.

DO NOT SCALE DRAWING

REVISION. O

TITLE:

ASSEMBLY DRG FOR 5100-470

DWG NO.

5100-470

A4

	NAME	SIGNED	DATE
DRAWN	S.HARDINGE	SJH	08/12/05
CHKD	-	-	-

SCALE: 1 : 2

SHEET 1 OF 1