

OVERALL ASSEMBLY DIMENSIONS:

EXTERNAL - 187.4 x 119.2 x 56.2

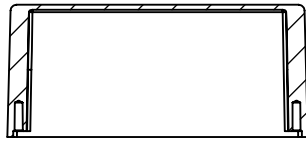
INTERNAL - 178.21 x 99.96 / 110.01 x 51.5

SELF TAPPING SCREW

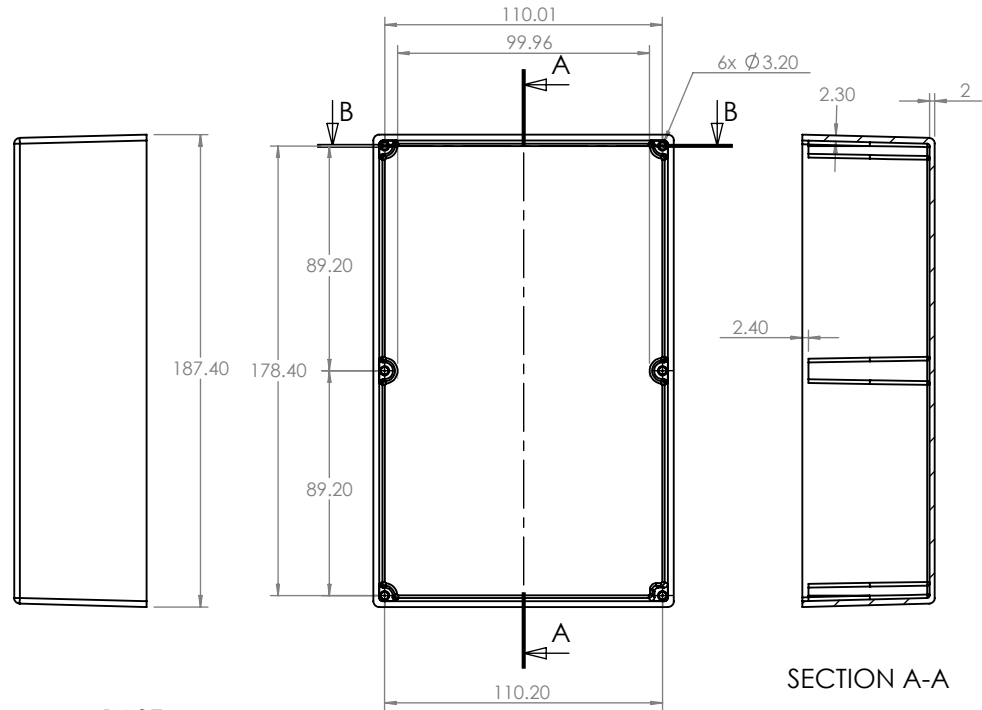
LID

BASE

ISO VIEW  
1:4

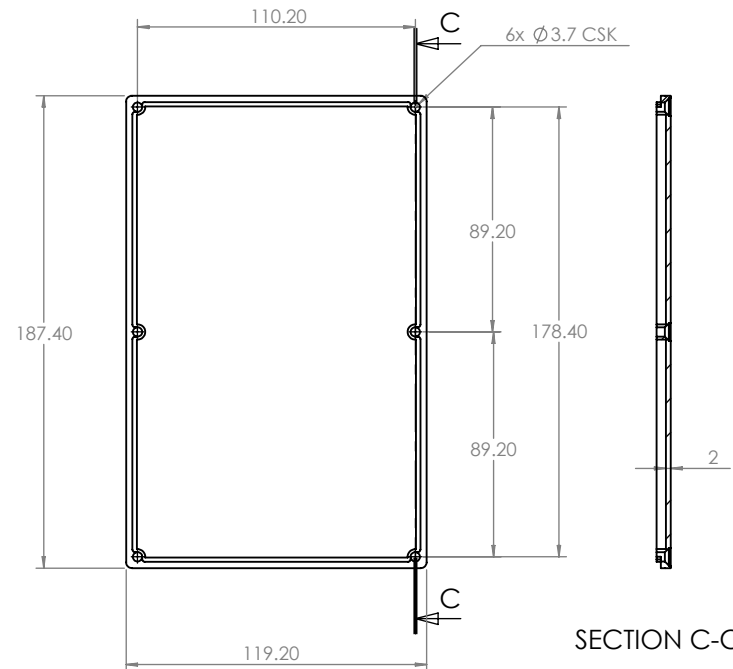


SECTION B-B



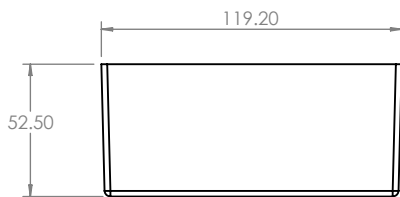
BASE

SECTION A-A



SECTION C-C

LID



		UNLESS OTHERWISE SPECIFIED: DIMENSIONS ARE IN MILLIMETERS		DO NOT SCALE DRAWING	REVISION. 0
		FINISH. SMOOTH		TITLE: ASSEMBLY DRG FOR 5100-247	
JAMES CARTER RD, MILDENHALL, SUFFOLK. IP28 7DE TEL: 01 638 716101 FAX: 01 638 716554 EMAIL: SALES@BOSS-ENCLOSURES.CO.UK WEB: WWW.BOSS-ENCLOSURES.CO.UK		MATERIAL. DIE-CAST ALUMINIUM		DWG NO. 5100-247	A4
DRAWN	S.HARDINGE	SIGNED	SJH	DATE	20/12/05
CHKD	-	-	-	PROJECTION.	
				SCALE: 1 : 3	SHEET 1 OF 1