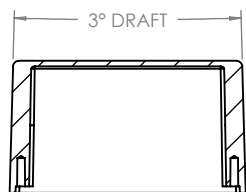


OVERALL ASSEMBLY DIMENSIONS:

EXTERNAL - 118.9 x 93.6 x 56.3

INTERNAL - 114.3 x 89 x 52.1

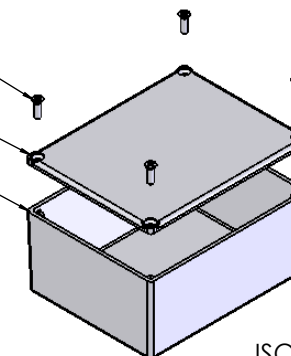


SECTION B-B

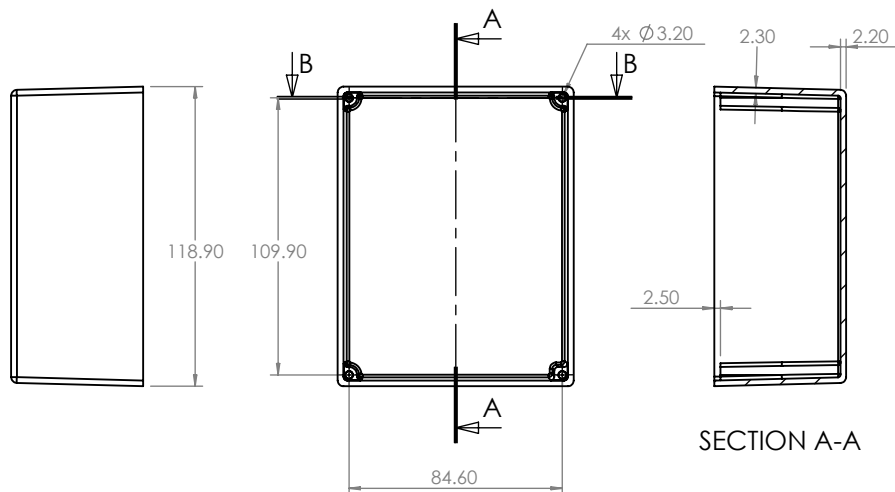
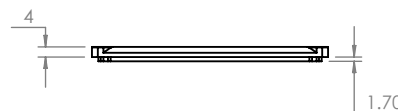
SELF TAPPING SCREW

LID

BASE

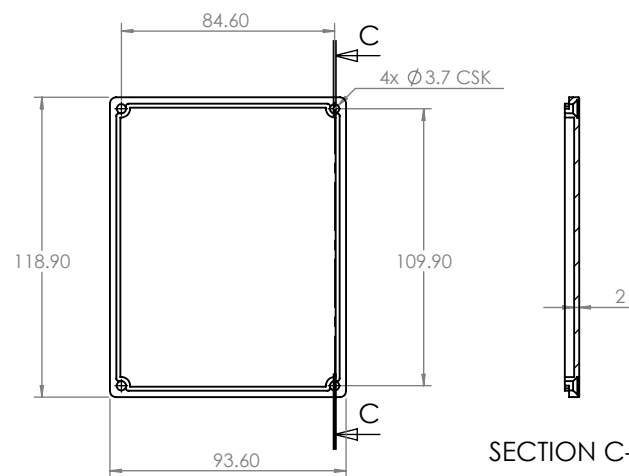


ISO VIEW  
1:4



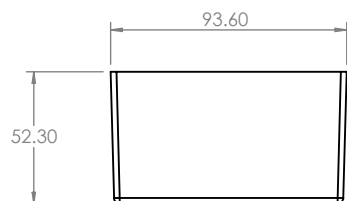
BASE

SECTION A-A



SECTION C-C

LID



JAMES CARTER RD, MILDENHALL, SUFFOLK. IP28 7DE  
TEL: 01638 716101 FAX: 01638 716554  
EMAIL: Sales@CamdenBoss.com  
WEB: www.CamdenBoss.com

UNLESS OTHERWISE SPECIFIED:  
DIMENSIONS ARE IN MILLIMETERS

FINISH:  
SMOOTH

MATERIAL:  
DIE-CAST ALUMINIUM

PROJECTION.

DO NOT SCALE DRAWING

REVISION. 0

TITLE:

ASSEMBLY DRG FOR 5100-234

DWG NO.

5100-234

A4

	NAME	SIGNED	DATE
DRAWN	S.HARDINGE	SJH	09/12/05
CHKD	-	-	-

SCALE: 1 : 3

SHEET 1 OF 1