

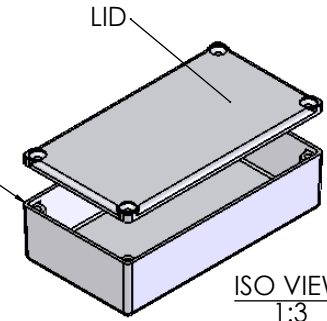
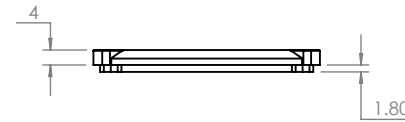
OVERALL ASSEMBLY DIMENSIONS:

EXTERNAL - 110.7 x 59.9 x 31

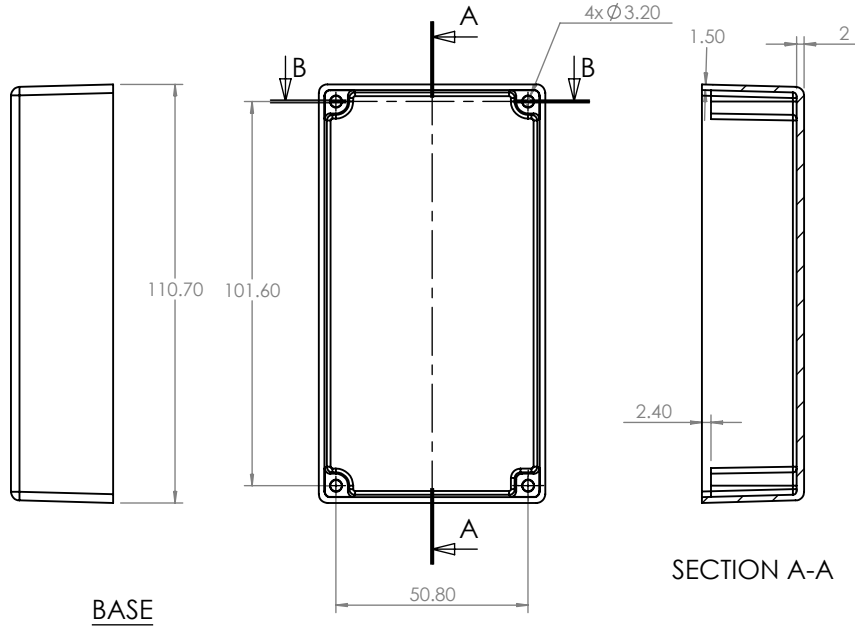
INTERNAL - 107.7 x 56.9 x 27



SECTION B-B

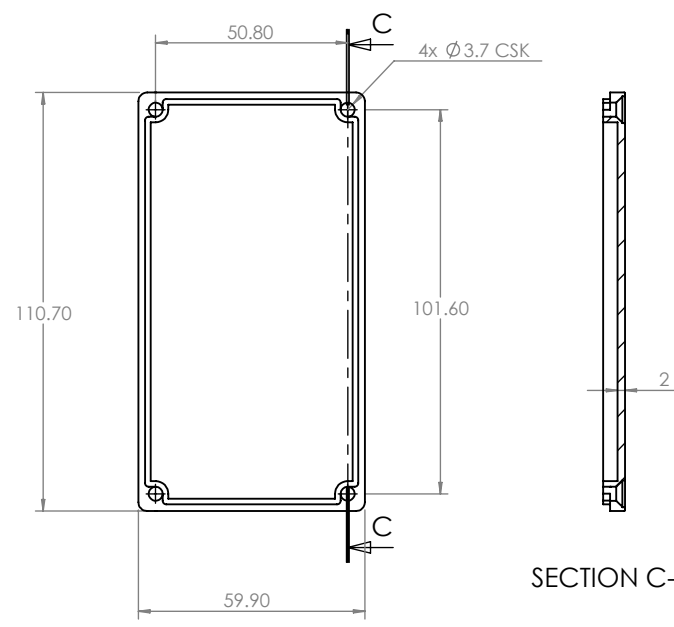


ISO VIEW
1:3



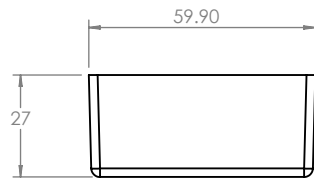
BASE

SECTION A-A



SECTION C-C

LID



		UNLESS OTHERWISE SPECIFIED: DIMENSIONS ARE IN MILLIMETERS		DO NOT SCALE DRAWING	REVISION. 0
		FINISH. SMOOTH		TITLE: DRG FOR 5100-124 BOX	
JAMES CARTER RD, MILDENHALL, SUFFOLK. IP28 7DE TEL: 01 638 716101 FAX: 01 638 716554 EMAIL: SALES@BOSS-ENCLOSURES.CO.UK WEB: www.BOSS-ENCLOSURES.CO.UK		MATERIAL. DIE-CAST ALUMINIUM		DWG NO. 5100-124	A4
DRAWN	S.HARDINGE	SJH	08/12/05	SCALE: 1 : 2	SHEET 1 OF 1
CHKD	-	-	-	PROJECTION.	