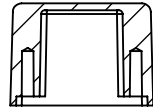


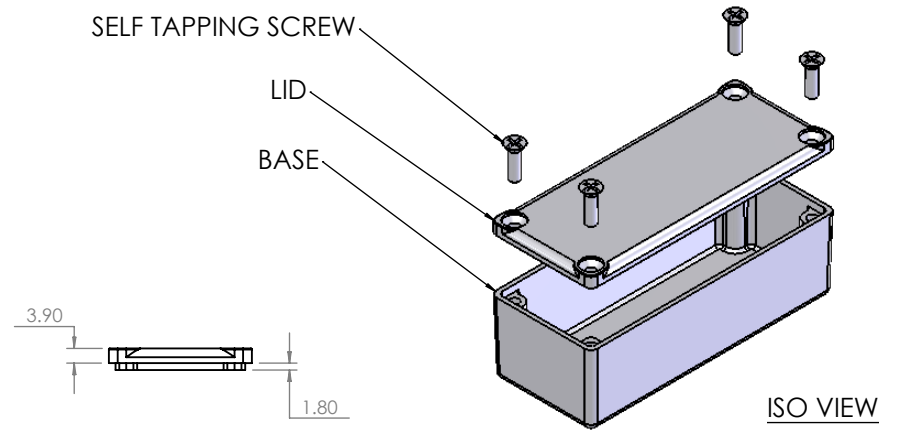
OVERALL ASSEMBLY DIMENSIONS:

EXTERNAL - 91.8 x 37.8 x 30.9

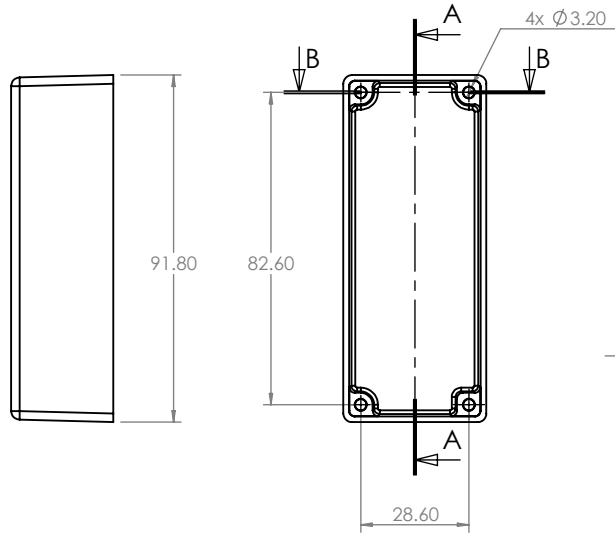
INTERNAL - 88.8 x 34.8 x 27.1



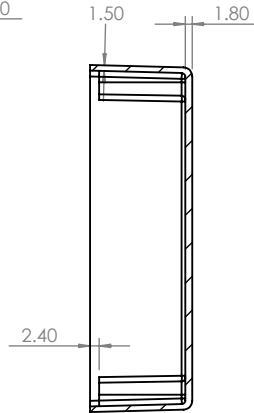
SECTION B-B



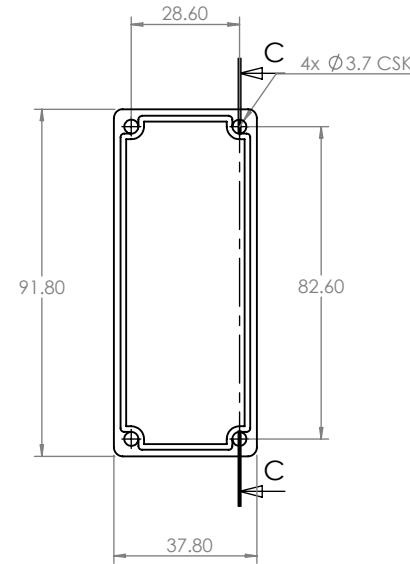
ISO VIEW



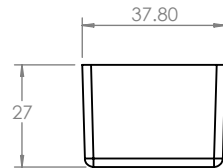
BASE



SECTION A-A



SECTION C-C



CAMDENBOSS
ELECTRONICS & ENCLOSURES

JAMES CARTER RD, MILDENHALL, SUFFOLK. IP28 7DE
TEL: 01638 716101 FAX: 01638 716554
EMAIL: Sales@CamdenBoss.com
WEB: www.CamdenBoss.com

UNLESS OTHERWISE SPECIFIED:
DIMENSIONS ARE IN MILLIMETERS

FINISH:
SMOOTH

MATERIAL:
DIE-CAST ALUMINIUM

DO NOT SCALE DRAWING

REVISION. 0

TITLE:

ASSEMBLY DRG FOR 5100-123

DWG NO.

5100-123

A4

	NAME	SIGNED	DATE
DRAWN	S.HARDINGE	SJH	08/12/05
CHK'D	-	-	-

PROJECTION.



SCALE: 1 : 2

SHEET 1 OF 1