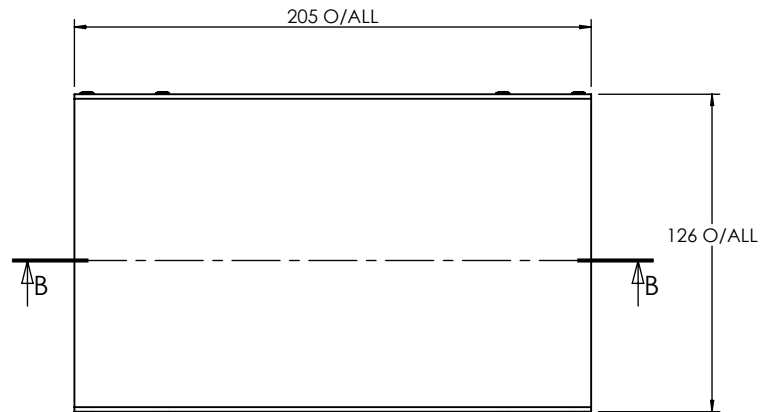
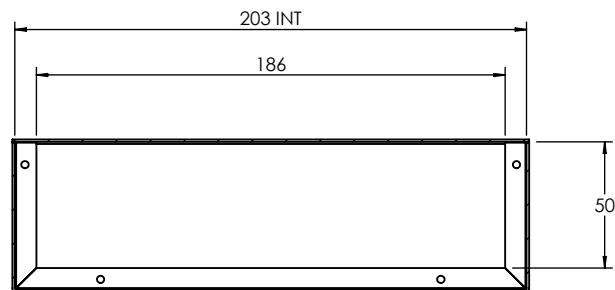


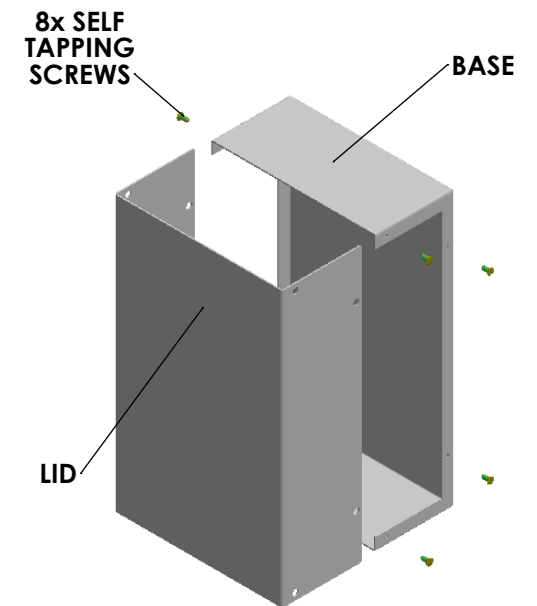
SECTION A-A



SECTION B-B  
SCALE 1 : 3



ISO VIEW  
SCALE 1:5



				UNLESS OTHERWISE SPECIFIED: DIMENSIONS ARE IN MILLIMETERS		DO NOT SCALE DRAWING		REVISION. 0	
				GENERAL TOLERANCES +/- 0.2		TITLE: <b>GENERAL ASSEMBLY DRG FOR MINIBOX SERIES</b>			
JAMES CARTER RD, MILDENHALL, SUFFOLK. IP28 7DE TEL: 01638 716101 FAX: 01638 716554 EMAIL: Sales@CamdenBoss.com WEB: www.CamdenBoss.com				FINISH: POLYESTER PAINT		DWG NO.		<b>CUABOX014</b>	
DRAWN	L.DROBKA	LD	08/07/11	MATERIAL: 1 mm THK ALUMINIUM		SCALE: 1 : 3		SHEET 1 OF 1	
CHK'D	M. WALLACE	MJW	08/07/2011	PROJECTION.				A4	