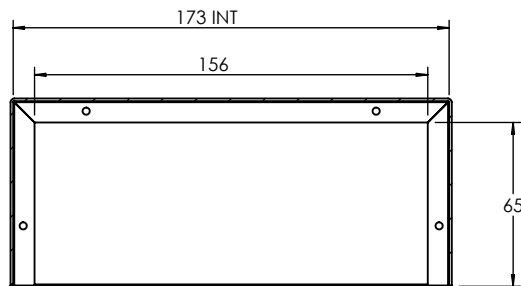
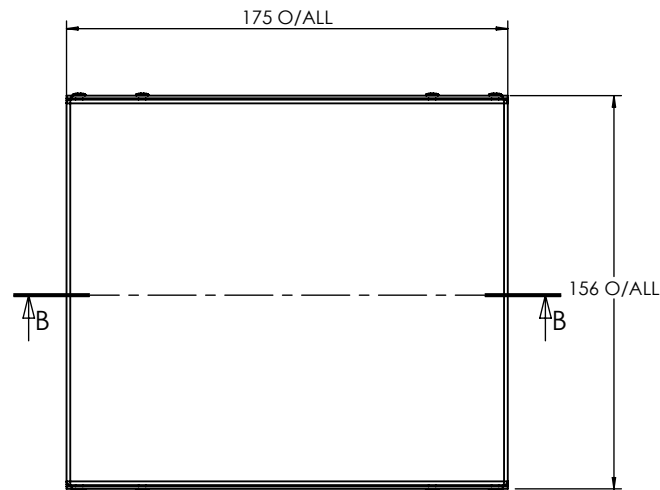
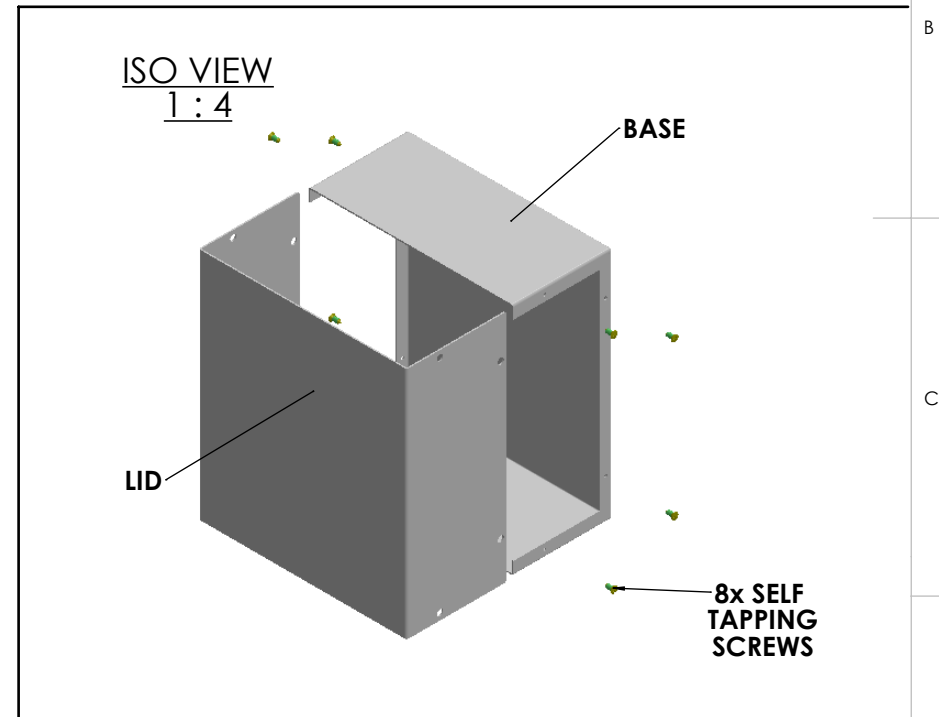


SECTION A-A



SECTION B-B



 JAMES CARTER RD, MILDENHALL, SUFFOLK. IP28 7DE TEL: 01638 716301 FAX: 01638 716554 EMAIL: Sales@CamdenBoss.com WEB: www.CamdenBoss.com		UNLESS OTHERWISE SPECIFIED: DIMENSIONS ARE IN MILLIMETERS		DO NOT SCALE DRAWING	REVISION. 0
		GENERAL TOLERANCES +/- 0.2		TITLE: <b>GENERAL ASSEMBLY DRG FOR MINIBOX SERIES</b>	
		FINISH: POLYESTER PAINT		DWG NO. <b>CUABOX013</b>	
DRAWN L.DROBKA		NAME LD		SCALE: 1 : 2	
SIGNED LD		DATE 08/07/11		SHEET 1 OF 1	
CHKD M. WALLACE		M/JW		PROJECTION.	
		DATE 08/07/2011		A4	