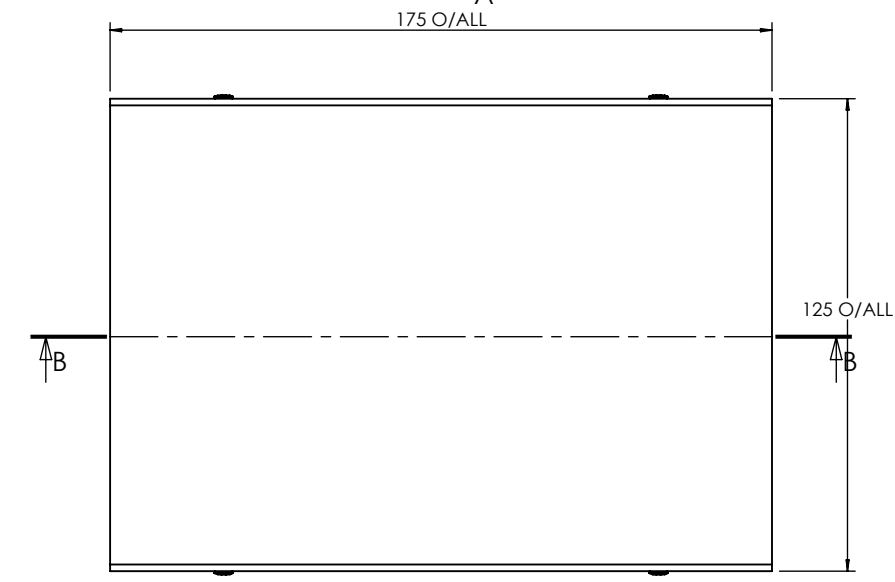
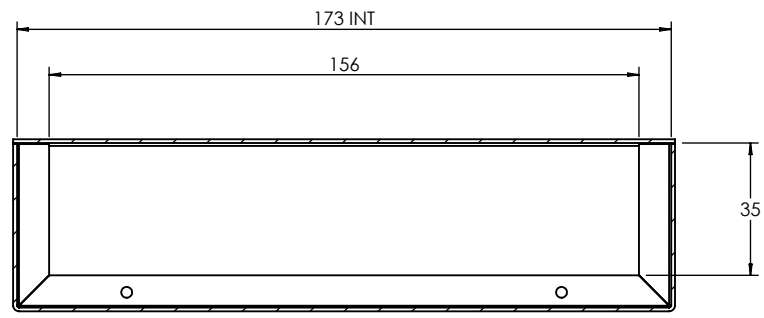
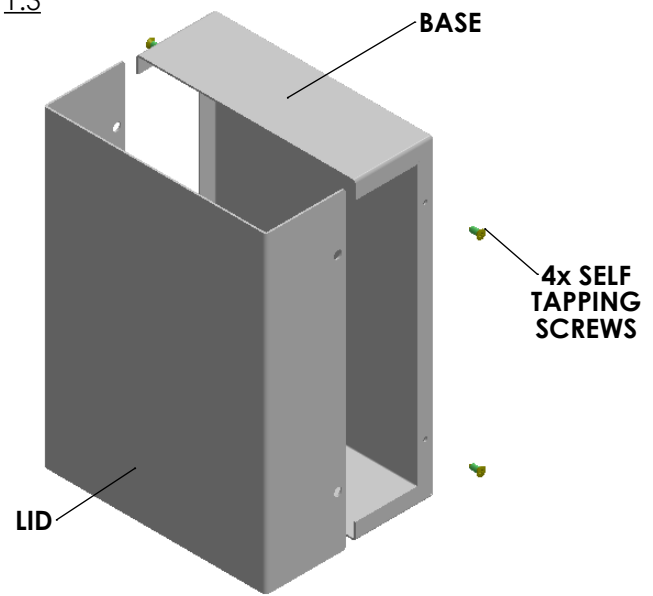


SECTION A-A



ISO VIEW  
1:3



SECTION B-B

 JAMES CARTER RD, MILDENHALL, SUFFOLK. IP28 7DE TEL: 01638 716101 FAX: 01638 716554 EMAIL: Sales@CamdenBoss.com WEB: www.CamdenBoss.com				UNLESS OTHERWISE SPECIFIED: DIMENSIONS ARE IN MILLIMETERS		DO NOT SCALE DRAWING		REVISION. 0	
				GENERAL TOLERANCES +/- 0.2		TITLE: <b>GENERAL ASSEMBLY DRG FOR MINIBOX SERIES</b>			
				FINISH: POLYESTER PAINT		DWG NO. <b>CUABOX012</b>			
DRAWN L.DROBKA LD 08/07/11				MATERIAL: 1 mm THK ALUMINIUM		SCALE: 1 : 2		SHEET 1 OF 1	
CHKD M. WALLACE MJW 08/07/2011				PROJECTION.		A4			