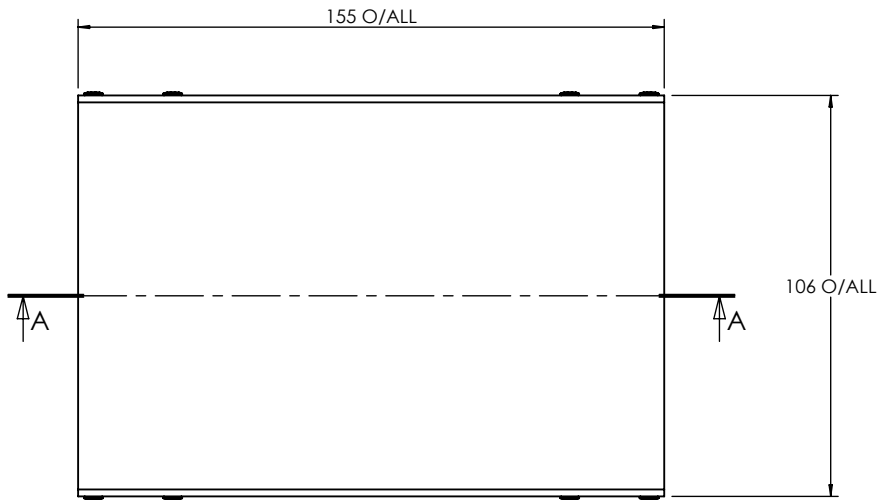
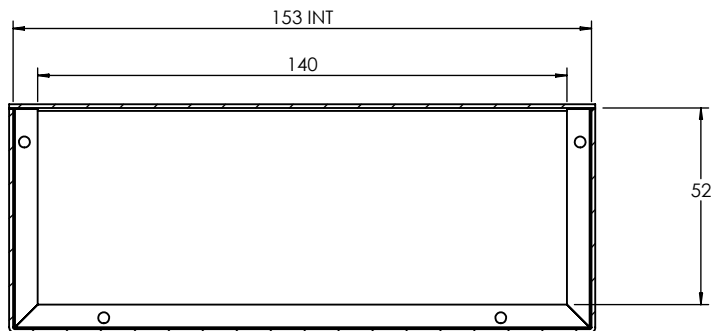


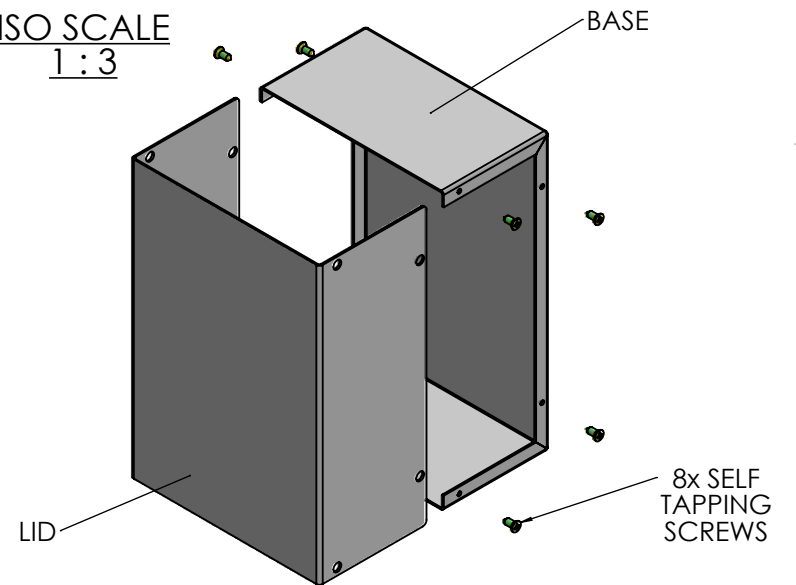
SECTION B-B



SECTION A-A



ISO SCALE
1:3



CAMDENBOSS
ELECTRONICS & ENCLOSURES
JAMES CARTER RD, MILDENHALL, SUFFOLK. IP28 7DE
TEL: 01638 716101 FAX: 01638 716554
EMAIL: Sales@CamdenBoss.com
WEB: www.CamdenBoss.com

UNLESS OTHERWISE SPECIFIED:
DIMENSIONS ARE IN MILLIMETERS

GENERAL TOLERANCES +/- 0.2

FINISH.
POLYESTER PAINT

MATERIAL.
1 mm THK ALUMINIUM

PROJECTION.

DO NOT SCALE DRAWING

REVISION. 0

TITLE:

GENERAL ASSEMBLY DRG
FOR MINIBOX SERIES

DWG NO.

CUABOX010

A4

SCALE: 1:3

SHEET 1 OF 1

	NAME	SIGNED	DATE
DRAWN	M.PRZYBYSZ	MP	30/06/11
CHK'D	-	-	-