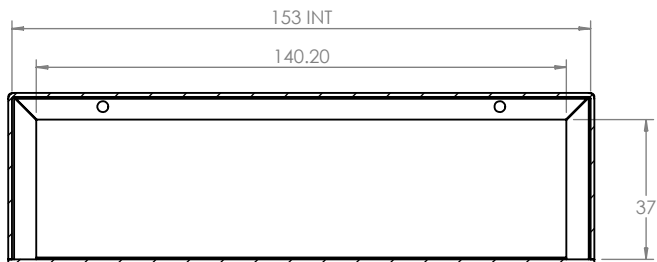
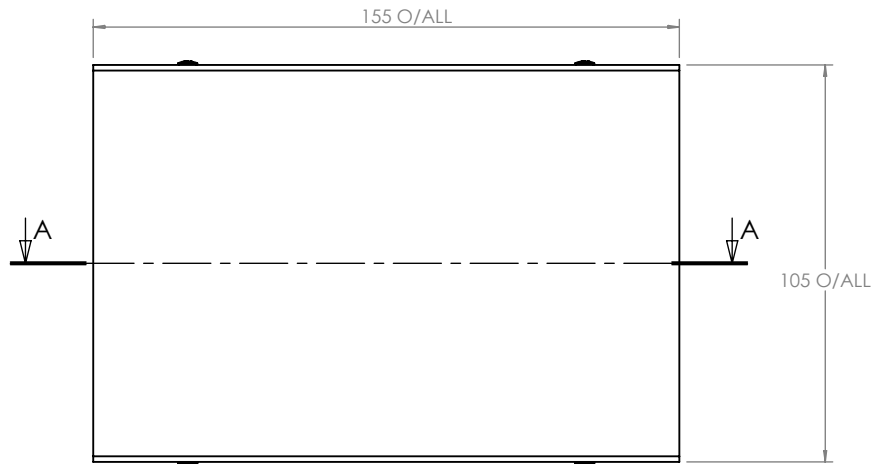
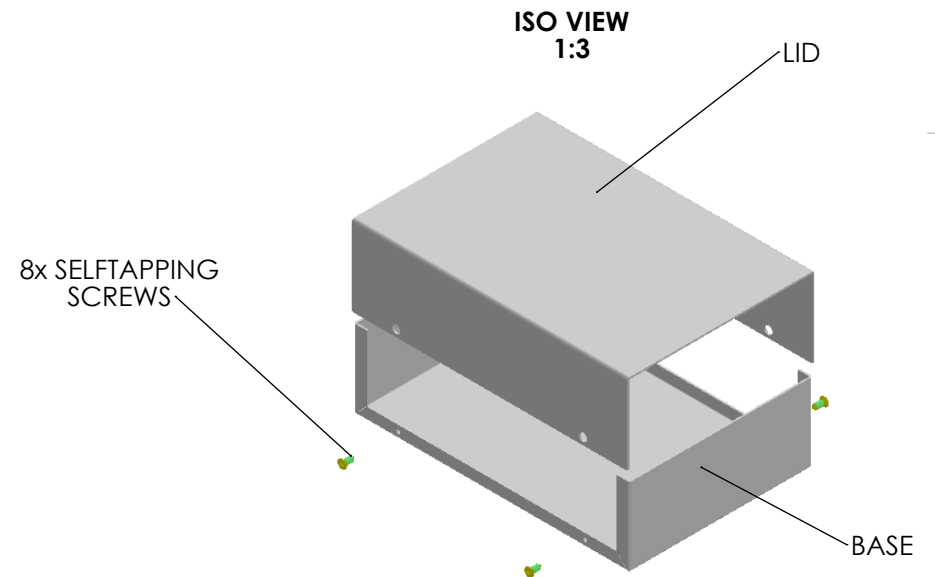


SECTION B-B



SECTION A-A



**CAMDENBOSS**  
ELECTRONICS & ENCLOSURES  
JAMES CARTER RD, MILDENHALL, SUFFOLK. IP28 7DE  
TEL: 01638 716101 FAX: 01638 716554  
EMAIL: Sales@CamdenBoss.com  
WEB: www.CamdenBoss.com

UNLESS OTHERWISE SPECIFIED:  
DIMENSIONS ARE IN MILLIMETERS

GENERAL TOLERANCES +/- 0.2

FINISH: POLYESTER PAINT

MATERIAL:  
1 mm ALUMINIUM

PROJECTION.

DO NOT SCALE DRAWING

REVISION.

TITLE: GENERAL ASSEMBLY DRG FOR U-  
BOX SERIES

DWG NO. CUABOX009

A4

SCALE: 1:2

SHEET 1 OF 1

	NAME	SIGNED	DATE
DRAWN	IAN PAGANO	I.P.	27/01/14
CHK'D	-	-	-