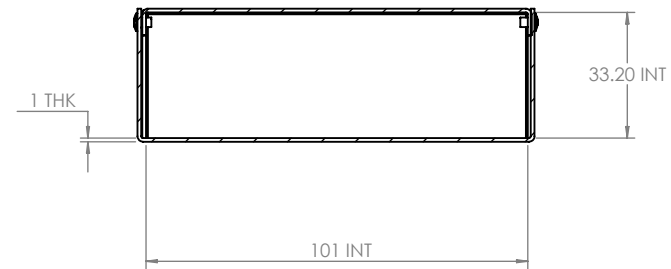
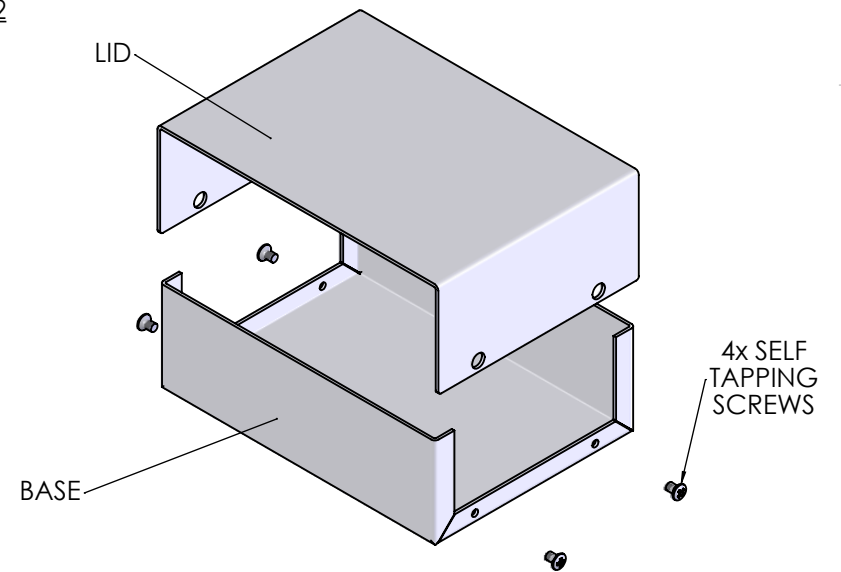


SECTION A-A

SECTION B-B



ISO VIEW
1:2



		UNLESS OTHERWISE SPECIFIED: DIMENSIONS ARE IN MILLIMETERS		DO NOT SCALE DRAWING	REVISION. 0
		FINISH. POLYSTER PAINT		TITLE: GENERAL ASSEMBLY DRG FOR MINIBOX SERIES	
JAMES CARTER RD, MILDENHALL, SUFFOLK. IP28 7DE TEL: 01638 716101 FAX: 01638 716554 EMAIL: Sales@CamdenBoss.com WEB: www.CamdenBoss.com		MATERIAL. 1mm THK ALUMINIUM		DWG NO.	CUABOX004
DRAWN	MATTHEW WALLACE	MJW	21/12/10	SCALE: 1 : 2	SHEET 1 OF 1
CHK'D	L.SUBKHANKULOVA	LS	21/12/10	A4	