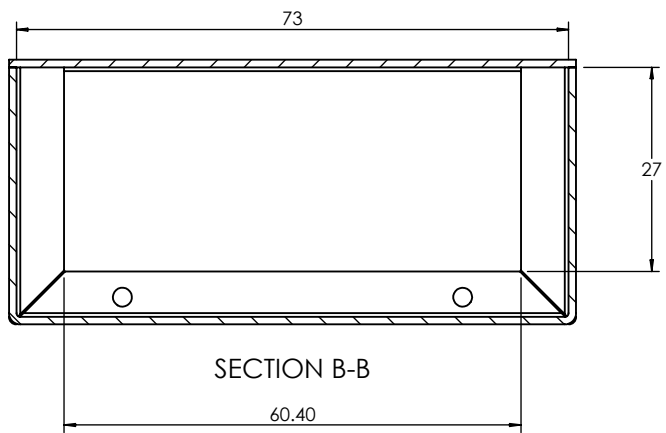
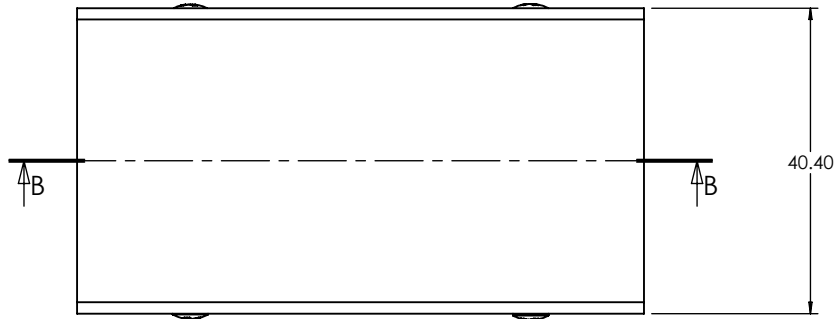
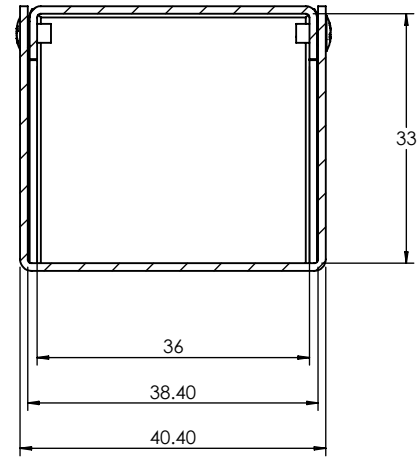
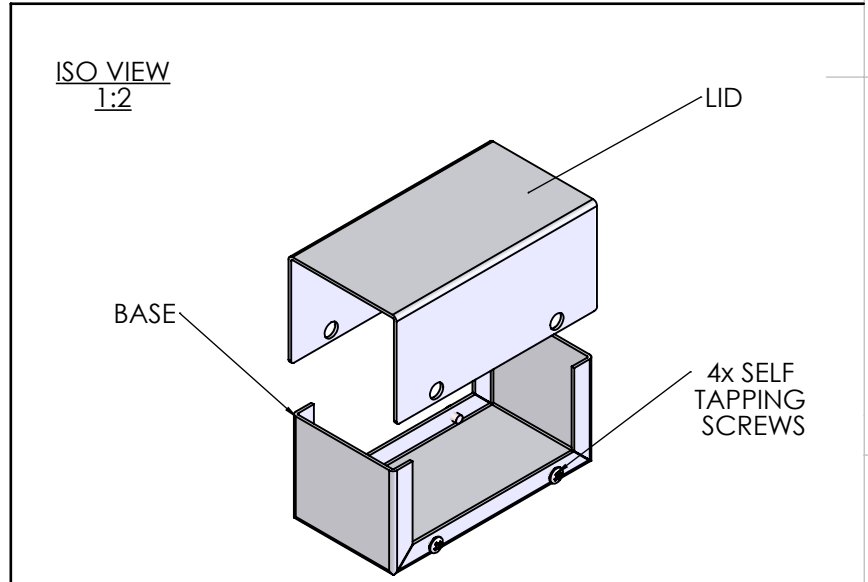


SECTION A-A



SECTION B-B



		UNLESS OTHERWISE SPECIFIED: DIMENSIONS ARE IN MILLIMETERS		DO NOT SCALE DRAWING		REVISION. 0	
		FINISH: POLYSTER PAINT		TITLE: GENERAL ASSEMBLY DRG FOR MINIBOX SERIES			
JAMES CARTER RD, MILDENHALL, SUFFOLK. IP28 7DE TEL: 01638 716101 FAX: 01638 716554 EMAIL: Sales@CamdenBoss.com WEB: www.CamdenBoss.com		MATERIAL: 1mm THK ALUMINIUM		DWG NO. CUABOX003		A4	
DRAWN	MATTHEW WALLACE	SIGNED	MJW	DATE	21/12/10	SCALE: 1 : 1	
CHK'D	L.SUBKHANKULOVA	LS	LS	DATE	21/12/10	SHEET 1 OF 1	