

# CamdenBoss Components

- PCB Terminal Blocks
- Interconnection
- Fuses & Fuseholders
- LED's and Indicators
- Miniature Switches
- Limit & Safety Switches
- Control Products
- Interface Modules & Supports
- Relay Bases
- Enclosures
- Batteries
- Transformers

**CAMDENBOSS**  
ELECTRONICS & ENCLOSURES

# LEDs & INDICATORS

## SURFACE MOUNT LEDS

0603 Casing  
0605 casing  
0805 casing  
1206 Casing

CL0603 p121  
CL0605 p121  
CL0805 p122  
CL1206 p122

## 3mm LEDS

Diffused

CL3S1 p123

## 5mm LEDS

Diffused  
High Brightness

CL5S1 p124  
CL5H1 p124

## AUDIBLE INDICATORS

22mm Panel

CBPI22 p125  
CBPIFLB22 p125

## INDICATORS

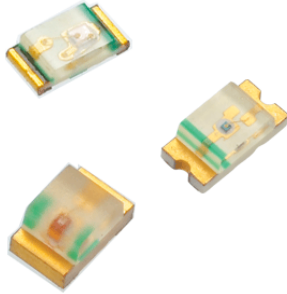
SM Series Press Fit 8mm Diameter  
05 Series Snap Fit 13mm Diameter  
A Series Press Fit 8mm Diameter  
23-LED Series Press Fit 8mm Diameter  
33-LED Series Threaded Body 6.5mm Diameter  
34-LED Series Threaded Body 8mm Diameter  
MPA Series Threaded Body 6.4mm Diameter  
517 Series Snap-Fit 9mm Diameter  
518 Series Snap-Fit 12mm Diameter  
519 Series Snap-Fit 14mm Diameter  
521 Series Snap-Fit 19mm Diameter  
580 Series 90° Snap on Lens

501 p126  
504 p126  
503 p127  
514 p128  
512 p129  
513 p129  
515 p128  
517 p131  
518 p131  
519 p132  
521 p132  
580 p133

# LEDs & INDICATORS

## Surface Mount LEDs

- Surface mount LEDs in packages conforming to EIA standards
- 0603, 0805 & 1206 sizes compatible with automated placement equipment
- IR and vapour phase reflow solder compatible
- Supplied on 8mm tape or 7 inch reel



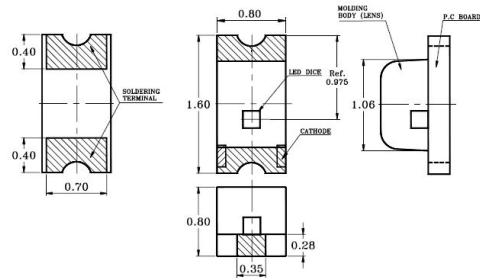
### SPECIFICATION

Viewing angle	130°
Max Forward Current $I_f$	30mA (blue 20mA)
Max Reverse Voltage $V_R$	5V
Lens	Clear

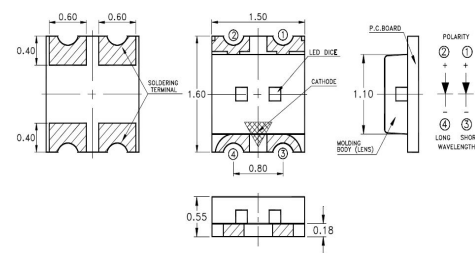
### 0603 / 0605 Casing

SPECIFICATION	COLOUR	DOMINANT WAVE LENGTH/ CIE COORDINATES ( $\lambda_d$ /CIE)	LUMINOUS INTENSITY (Iv) TYP	MAX FORWARD VOLTAGE (V <sub>f</sub> ) TYP
CL0603RC	Red	631nm	20.0mcd*	2.4V
CL0603AC	Amber	602nm	6.0mcd	2.1V
CL0603YC	Yellow	588nm	80.0mcd	2.0V
CL0603GC	Green	569nm	12.0mcd	2.1V
CL0603BC	Blue	467nm	30.0mcd	3.4V
CL0603WC	White	0.294, 0.286	112.0mcd*	3.15V*
CL0605RGC	Red	631nm	45.0mcd	2.0V
	Green	571nm	35.0mcd	2.0V

#### 0603



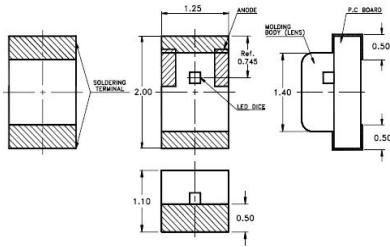
#### 0605



## 0805 Casing

SPECIFICATION	COLOUR	DOMINANT WAVE LENGTH/ CIE COORDINATES ( $\lambda_d$ /CIE)	LUMINOUS INTENSITY (Iv)	MAX FORWARD VOLTAGE (Vf)
CL0805RC	Red	631nm	20.0mcd	2.0V
CL0805AC	Amber	602nm	4.5mcd	2.1V
CL0805YC	Yellow	588nm	6.0mcd	2.1V
CL0805GC	Green	569nm	6.0mcd	2.1V
CL0805BC	Blue	475nm*	112.0mcd*	3.8V*
CL0805WC	White	0.25,0.22	450mcd	3.8V

### 0805

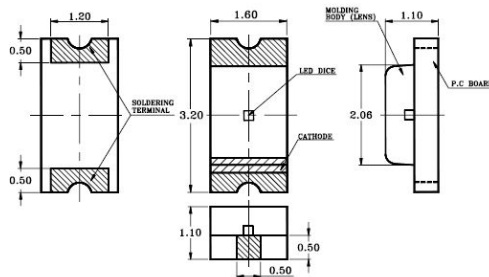


## 1206 Casing

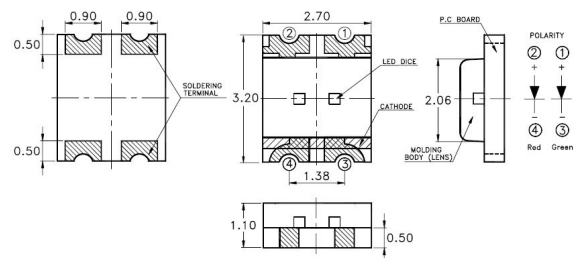
SPECIFICATION	COLOUR	DOMINANT WAVE LENGTH/ CIE COORDINATES ( $\lambda_d$ /CIE)	LUMINOUS INTENSITY (Iv)	MAX FORWARD VOLTAGE (Vf)
CL1206RC	Red	631nm	20.0mcd	2.0V
CL1206AC	Amber	602nm	6.0mcd	2.1V
CL1206YC	Yellow	588nm	6.0mcd	2.1V
CL1206GC	Green	569nm	6.0mcd	2.1V
CL1206WC	White	0.294mm, 0.286mm	112mcd*	3.15V*
CL1206BC	Blue	475nm	28mcd	3.8V
CL1208RGC	Red	631nm	5.0mcd*	2.0V
	Green	571nm	35.0mcd*	2.0V

$I_v$  = typical luminous intensity at 20mA  
 \* = the maximum figure  
 Chromaticity coordinates (X,Y) derived from 1931 CIE chromaticity diagram

### 1206



### 1208



# LEDs & INDICATORS

PCB  
TERMINAL  
BLOCKS

INTER-  
CONNECTION

FUSES &  
FUSE-  
HOLDERS

LEDs &  
INDICATORS

MINIATURE  
SWITCHES

LIMIT &  
SAFETY  
SWITCHES

CONTROL  
PRODUCTS

INTERFACE  
MODULES &  
SUPPORTS

RELAY  
BASES

ENCLOSURES

BATTERIES

TRANS-  
FORMERS

## 3mm LEDs

- High efficiency LEDs in a standard 3mm (T1) package
- Diffused lens option for indicator applications
- Bi-coloured red-green option has matched chips for uniform light output



### SPECIFICATION

Max Forward Current $I_f$	30mA (Yellow/Amber 20mA)
Max Reverse Voltage $V_r$	5V
Lens	Clear & Diffused

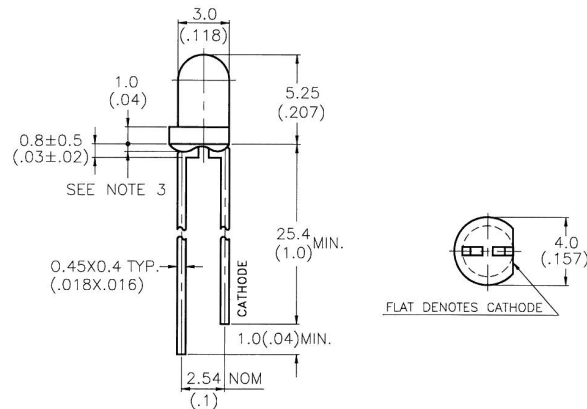
Further specifications available on request

### Diffused

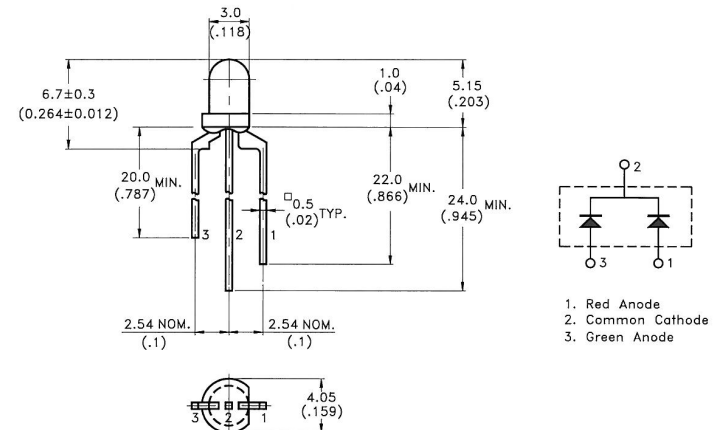
SPECIFICATION	COLOUR	LENS	DOMINANT WAVE LENGTH/ CIE COORDINATES ( $\lambda_d$ /CIE)	LUMINOUS INTENSITY (lv)	MAX FORWARD VOLTAGE (V)	VIEWING ANGLE
CL3S1RD	Red	Diffused	638nm	60mcd	2.4V	60°
CL3S1AD	Amber	Diffused	602nm	12.6mcd*	2.6V	60°
CL3S1YD	Yellow	Diffused	588nm	8.7mcd	2.6V	40°
CL3S1GD	Green	Diffused	569nm	12.6mcd*	2.1V	40°
CL3S1BD	Blue	Diffused	466nm	18mcd	3.8V	60°
CL3S1RGD	Red	Diffused	631nm	110mcd	2.4V	45°
	Green	Diffused	572nm	110mcd	2.4V	45°

\* Denotes the maximum figure

### 3mm standard



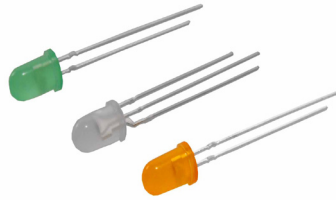
### 3mm bicolor



# LEDs & INDICATORS

## 5mm LEDs

- High efficiency LEDs in a standard 5mm (T1¼) package
- Diffused lens option for indicator applications
- Clear lens options for higher brightness illumination applications
- Bi-coloured red-green option has common cathode



### SPECIFICATION

Max Forward Current $I_f$	20-50mA
Max Reverse Voltage $V_r$	5V (red 4V)
Lens	Clear & Diffused

Further specifications available on request

## Diffused / Transparent

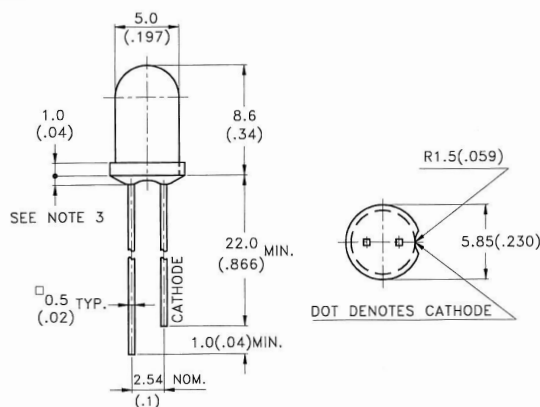
SPECIFICATION	COLOUR	LENS	DOMINANT WAVE LENGTH/ CIE COORDINATES ( $\lambda_d$ /CIE)	LUMINOUS INTENSITY (Iv)	MAX FORWARD VOLTAGE (Vf)	MAX FORWARD CURRENT (If)	VIEWING ANGLE
CL5S1RD	Red	Diffused	638nm	135mcd	1.8V	40mA	40°
CL5S1AD	Amber	Transparent	602nm	40mcd	2.6V	20mA	40°
CL5S1YD	Yellow	Diffused	588nm	19mcd*	2.1V	20mA	36°
CL5S1GD	Green	Diffused	565nm	20mcd*	2.1V	30mA	30°
CL5S1RGD	Red	Diffused	657nm	1.7mcd*	2.1V	15mA	30°
	Green	Diffused	569nm	5.6mcd*	2.1V	30mA	30°

## High Brightness

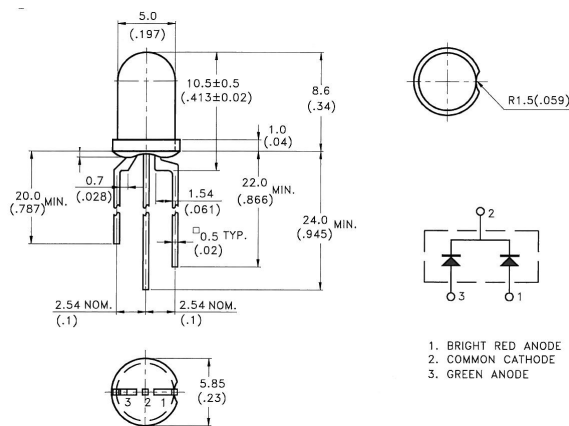
SPECIFICATION	COLOUR	LENS	DOMINANT WAVE LENGTH/ CIE COORDINATES ( $\lambda_d$ /CIE)	LUMINOUS INTENSITY (Iv)	MAX FORWARD VOLTAGE (Vf)	MAX FORWARD CURRENT (If)	VIEWING ANGLE
CL5H1RC	Red	Clear	631nm	1150mcd	1.9V	30mA	30°
CL5H1AC	Amber	Clear	592nm	7800mcd	2.4V	50mA	8°
CL5H1YC	Yellow	Clear	587nm	1700mcd	2.05V	30mA	15°
CL5H1GC	Green	Clear	571nm	980mcd	2.1V	30mA	22°
CL5H1BC	Blue	Clear	470nm	1900mcd	3.5V	30mA	15°
CL5H1WC	White	Clear	0.30, 0.30	13000mcd	3.3V	30mA	15°

$I_v$  = typical luminous intensity at 20mA, except 10mA where indicated by \*  
Chromaticity coordinates (X,Y) derived from 1931 CIE chromaticity diagram

### 5mm standard



### 5mm bicolor



+44 (0)1638 716101  
info@camdenboss.com  
www.camdenboss.com

We operate a constant improvement policy,  
our products are subject to change without notice.

Ver 1.1

**CAMDENBOSS**  
ELECTRONICS & ENCLOSURES

# LEDs & INDICATORS

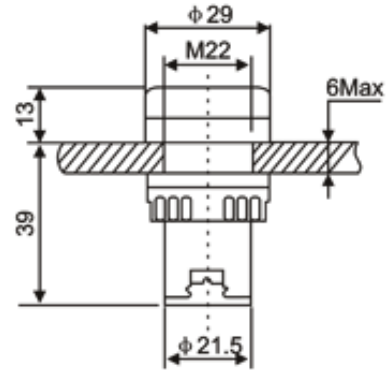
## 22mm Panel Indicators

- Multi-chip LED technology
- Modern and effective replacement for traditional 22mm pilot lights
- Low power consumption but brighter than standard incandescent indicators
- Back of panel lock nut fixing
- Screw clamp terminals
- Red, green, amber, white, and blue lens colour options as standard
- Audible version available

CBPI22 Series



TYPE NO.	CBPI22	XXX
CBPI22 Series Indicator	CBPI22	
12V	012	
24V	024	
110V	110	
230V	230	
Lens colour Red	RD	
Lens colour Green	GRN	
Lens colour Amber	AMB	
Lens colour White	WH	
Lens colour Blue	BLU	



## 22mm Panel Audible Indicators

CBPIFLB22 Series



TYPE NO.	CBPIFLB22	XXX
CBPIFLB22 Series Indicator	CBPIFLB22	
24V	024	
230V	230	
Short Body	SH	

PCB  
TERMINAL  
BLOCKS

INTER-  
CONNECTION

FUSES &  
FUSE-  
HOLDERS

LEDs &  
INDICATORS

MINIATURE  
SWITCHES

LIMIT &  
SAFETY  
SWITCHES

CONTROL  
PRODUCTS

INTERFACE  
MODULES &  
SUPPORTS

RELAY  
BASES

ENCLOSURES

BATTERIES

TRANS-  
FORMERS

# LEDs & INDICATORS

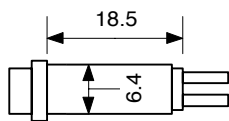
## 501 SM Series

- Press fit body for various panel thicknesses, panel cut-out 8mm diameter
- Stripped 10mm wire termination 162mm long as standard
- Neons 125-240V 0.8-1mA, as standard
- Pin termination to order
- LED, Filament 6-28V 30-40mA to order
- Pin termination available on low voltage LED and filament, lenses 1-3
- Polycarbonate lens/body
- Maximum working temperature 105°C
- Red, green, amber lens colour options as standard
- Other lens colour options to order
- Four lens options as standard
- Custom wire lengths and specification to order

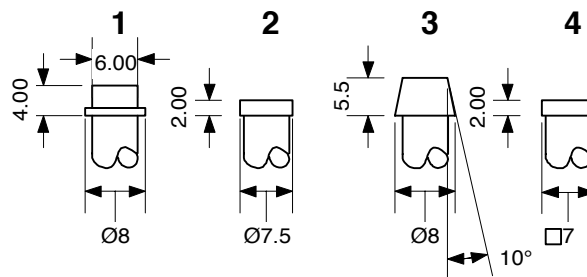


TYPE NO.	501	X	XX-XXXX-T /
501 Series Indicator	501		
Lens cylinder top-hat	1		
Lens cylinder low profile	2		
Lens cylinder tapered sides	3		
Lens square low profile	4		
Stripped wire 162mm long	05		
Pin termination	13		
LED, white cathode & black anode wires	LED		
Filament 6V 40mA, white wire	640		
Filament 14V 40mA, yellow wire	1440		
Filament 24V 35mA, green wire	24		
Filament 28V 30mA, green wire	28		
Neon 125V 1mA, blue wire	125		
Neon 240V 0.8mA, red wire	240		
Transparent lens	T		
Lens colour Red	RED		
Lens colour Green	GRN		
Lens colour Amber	AMB		

Body Dimensions



Lens Options



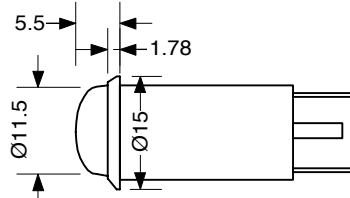
## 504 05 Series

- Snap fit body for panel thicknesses 0.5-3.5mm, panel cut-out 13mm diameter
- 6.3mm quick-connect terminals as standard
- Stripped 6mm wire termination 162mm long to order
- Neons 125-240V 0.8-1mA, as standard
- LED and Filament 6-48V 25-40mA to order
- Polycarbonate lens/body and brushed chrome bezel
- Maximum working temperature 105°C
- Red, green, amber lens colour options as standard
- Other lens colour options to order
- Custom wire lengths and specification to order



TYPE NO.	504	2	XX-XXXX-T /
504 Series Indicator	504		
Lens Type	2		
6.3mm quick-connect terminal	03		
Stripped wire 162mm long	05		
LED, white cathode & black anode wires	LED		
Filament 6V 40mA, white wire	640		
Filament 12V 40mA, yellow wire	1240		
Filament 14V 40mA, yellow wire	1440		
Filament 24V 35mA, green wire	24		
Filament 28V 30mA, green wire	28		
Filament 48V 25mA, green wire	48		
Neon 125V 1mA, blue wire	125		
Neon 240V 0.8mA, red wire	240		
Transparent lens	T		
Lens colour Red	RED		
Lens colour Green	GRN		
Lens colour Amber	AMB		

Dimensions



+44 (0)1638 716101  
info@camdenboss.com  
www.camdenboss.com

We operate a constant improvement policy,  
our products are subject to change without notice.

Ver 1.1

**CAMDENBOSS**  
ELECTRONICS & ENCLOSURES

PCB  
TERMINAL  
BLOCKS

INTER-  
CONNECTION

FUSES &  
FUSE-  
HOLDERS

LEDs &  
INDICATORS

MINIATURE  
SWITCHES

LIMIT &  
SAFETY  
SWITCHES

CONTROL  
PRODUCTS

INTERFACE  
MODULES &  
SUPPORTS

RELAY  
BASES

ENCLOSURES

BATTERIES

TRANS-  
FORMERS



# LEDs & INDICATORS

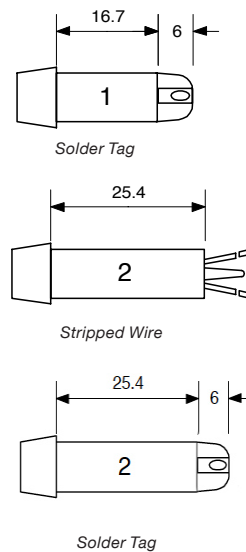
## 503 A Series

- Press fit body for various panel thicknesses, panel cut-out 8mm diameter
- Short body available with solder tags only.
- Long body available with solder tags and wire termination.
- LED, Filament 6-28V 30-40mA and Neons 125-240V 0.8-1mA, as standard
- Neon-replacement LED version is fitted with resistor and operates at 240V AC. Operating life 50,000 hours
- Polycarbonate lens/body and brushed chrome bezel
- Maximum working temperature 105°C
- Red, green, amber lens colour options as standard
- Other lens colour options to order
- Custom wire lengths and specification to order
- Removable collar fits to rear of panel for improved retention

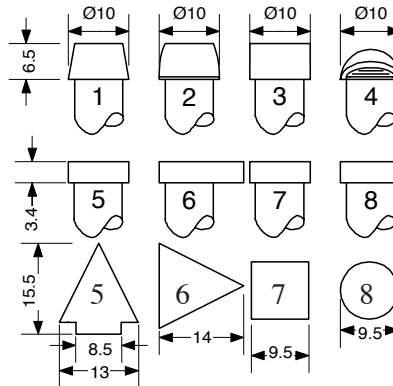


TYPE NO.	503	X	X	- T /
503 Series Indicator	503			
Lens cylinder tapered sides	1			
Lens cylinder curved sides	2			
Lens cylinder straight sides	3			
Lens domed	4			
Lens arrow	5			
Lens triangle	6			
Lens square	7			
Lens circle	8			
Short body 1	1			
Long body 2	2			
Stripped wire 280mm long	05			
Solder tag termination	11			
LED, white cathode & black anode wires	LED			
LED, neon-replacement, 240V 1mA	LED2			
Filament 6V 40mA, white wire	640			
Filament 14V 40mA, yellow wire	1440			
Filament 24V 35mA, green wire	24			
Filament 28V 30mA, green wire	28			
Neon 125V 1mA, blue wire	125			
Neon 240V 0.8mA, red wire	240			
Transparent lens	T			
Lens colour Red	RED			
Lens colour Green	GRN			
Lens colour Amber	AMB			

Body Dimensions



Lens Options



PCB  
TERMINAL  
BLOCKS

INTER-  
CONNECTION

FUSES &  
FUSE-  
HOLDERS

LEDs &  
INDICATORS

MINIATURE  
SWITCHES

LIMIT &  
SAFETY  
SWITCHES

CONTROL  
PRODUCTS

INTERFACE  
MODULES &  
SUPPORTS

RELAY  
BASES

ENCLOSURES

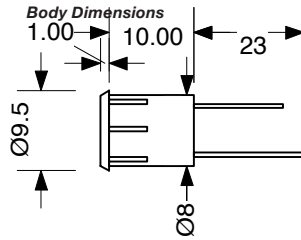
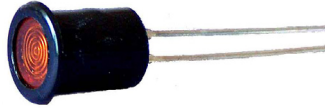
BATTERIES

TRANS-  
FORMERS

# LEDs & INDICATORS

## 514 23-LED Series

- Voltage rating 5V
- Current rating 10mA
- Press-fit body for various panel thickness, panel cut-out 8.0mm diameter
- LED pin termination, anode pin cut short
- Polycarbonate body/bezel and lens
- Red, green, amber, and blue lens colour options as standard
- Maximum working temperature 105°C



TYPE NO.	514	1	13 -	LED	- T /	XXX
515 Series Indicator	514					
Lens Type	1					
Pin termination	13					
LED, anode pin cut short	LED					
Transparent lens	T					
Lens colour Red	RED					
Lens colour Green	GRN					
Lens colour Amber	AMB					
Lens colour Blue	BLU					

PCB  
TERMINAL  
BLOCKS

INTER-  
CONNECTION

FUSES &  
FUSE-  
HOLDERS

LEDs &  
INDICATORS

MINIATURE  
SWITCHES

LIMIT &  
SAFETY  
SWITCHES

CONTROL  
PRODUCTS

INTERFACE  
MODULES &  
SUPPORTS

RELAY  
BASES

ENCLOSURES

BATTERIES

TRANS-  
FORMERS



+44 (0)1638 716101  
info@camdenboss.com  
www.camdenboss.com

We operate a constant improvement policy,  
our products are subject to change without notice.

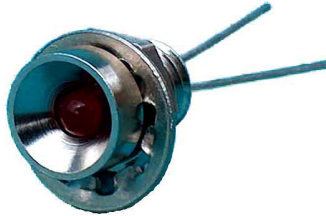
Ver 1.1  
ISS 7

**CAMDENBOSS**  
ELECTRONICS & ENCLOSURES

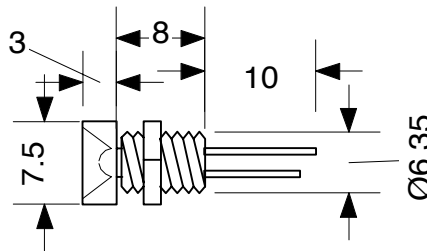
# LEDs & INDICATORS

## 512 33-LED Series

- Voltage rating 5V
- Current rating 10mA
- Threaded body for panel thicknesses 0.5-3.5mm, panel cut-out 6.5mm diameter
- 3.2mm LED with pin termination, anode pin cut short
- Chrome plated brass body/ bezel, supplied with nut and shakeproof washer
- Red, green, amber, and blue lens colour options as standard
- Maximum working temperature 80°C



Body Dimensions



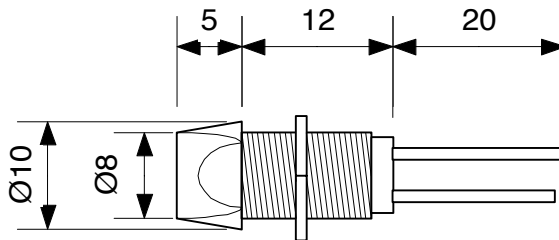
TYPE NO.	512	1	13 - LED	- T /	XXX
515 Series Indicator	512				
Lens Type	1				
Pin termination	13				
LED, anode pin cut short	LED				
Transparent lens	T				
Lens colour Red	RED				
Lens colour Green	GRN				
Lens colour Amber	AMB				
Lens colour Blue	BLU				

## 513 34-LED Series

- Voltage rating 5V
- Current rating 10mA
- Threaded body for panel thicknesses 0.5-3.5mm, panel cut-out 8.0mm diameter
- 5.0mm LED with pin termination, anode pin cut short
- Chrome plated brass body/ bezel, supplied with nut and spring washer
- Red, green, amber, and blue lens colour options as standard
- Maximum working temperature 80°C



Body Dimensions



TYPE NO.	513	1	13 - LED	- T /	XXX
515 Series Indicator	513				
Lens Type	1				
Pin termination	13				
LED, anode pin cut short	LED				
Transparent lens	T				
Lens colour Red	RED				
Lens colour Green	GRN				
Lens colour Amber	AMB				
Lens colour Blue	BLU				

PCB  
TERMINAL  
BLOCKS

INTER-  
CONNECTION

FUSES &  
FUSE-  
HOLDERS

LEDs &  
INDICATORS

MINIATURE  
SWITCHES

LIMIT &  
SAFETY  
SWITCHES

CONTROL  
PRODUCTS

INTERFACE  
MODULES &  
SUPPORTS

RELAY  
BASES

ENCLOSURES

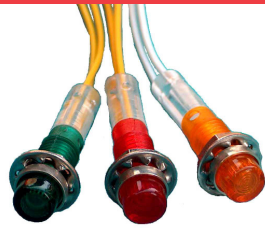
BATTERIES

TRANS-  
FORMERS

# LEDs & INDICATORS

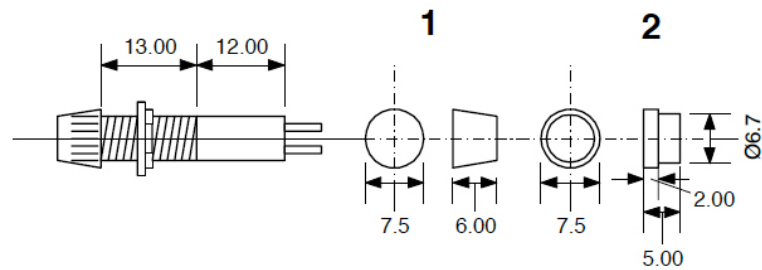
## 515 MPA Series

- Threaded body for panel thicknesses 0.5-3.5mm, panel cut-out 6.4mm diameter
- Stripped wire termination 164mm long, PVC stripped dimensions 10mm
- LED, Filament 6-28V 30-40mA and Neons 125-240V 0.8-1mA, as standard
- Neon-replacement LED version is fitted with a resistor and operates at 240V AC. Operating life 50,000 hours
- Polycarbonate lens/body, chrome bezel, supplied with nut and shakeproof washer
- Red, green, amber, clear, blue and opal lens colour options as standard
- Maximum working temperature 105°C
- Custom wire lengths and specification to order



	TYPE NO.	515	1	05 - XXXX - T / XXX
515 Series Indicator		515		
Lens Type	Trapezoid	1		
	Top Hat	2		
Stripped wire 164mm long		05		
LED pins		13		
LED, black cathode & white anode wires		LED		
LED, neon-replacement 240V 1mA		LED2		
Filament 6V 40mA, white wire		640		
Filament 12V 35mA, yellow wire		1235		
Filament 14V 40mA, yellow wire		1440		
Filament 24V 35mA, green wire		24		
Filament 28V 30mA, green wire		28		
Filament 28V 25mA, green wire		28		
Neon 125V 1mA, blue wire		125		
Neon 240V 0.8mA, red wire		240		
Transparent lens		T		
Lens colour Red		RED		
Lens colour Green		GRN		
Lens colour Amber		AMB		
Lens colour Clear		CLR		
Lens colour Blue		BLU		
Lens colour Opal		OPL		

Body Dimensions



PCB  
TERMINAL  
BLOCKS

INTER-  
CONNECTION

FUSES &  
FUSE-  
HOLDERS

LEDs &  
INDICATORS

MINIATURE  
SWITCHES

LIMIT &  
SAFETY  
SWITCHES

CONTROL  
PRODUCTS

INTERFACE  
MODULES &  
SUPPORTS

RELAY  
BASES

ENCLOSURES

BATTERIES

TRANS-  
FORMERS



+44 (0)1638 716101  
info@camdenboss.com  
www.camdenboss.com

We operate a constant improvement policy,  
our products are subject to change without notice.

Ver 1.1  
Iss 4

**CAMDENBOSS**  
ELECTRONICS & ENCLOSURES

# LEDs & INDICATORS

PCB  
TERMINAL  
BLOCKS

INTER-  
CONNECTION

FUSES &  
FUSE-  
HOLDERS

LEDs &  
INDICATORS

MINIATURE  
SWITCHES

LIMIT &  
SAFETY  
SWITCHES

CONTROL  
PRODUCTS

INTERFACE  
MODULES &  
SUPPORTS

RELAY  
BASES

ENCLOSURES

BATTERIES

TRANS-  
FORMERS

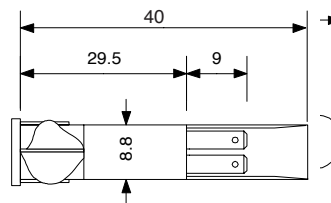
## 517 Series

- Snap fit body for panel thicknesses 0.5-3.5mm, panel cut-out 9mm diameter
- Stripped 6mm wire termination 155mm long, PVC
- Neons 125-240V 0.8-1mA, as standard
- LED and Filament 6-28V 30-40mA, to order
- Polycarbonate lens and body
- Maximum working temperature 105°C
- Red, green, amber, clear lens colour options as standard
- Other lens colour options to order
- Custom wire lengths and specification to order

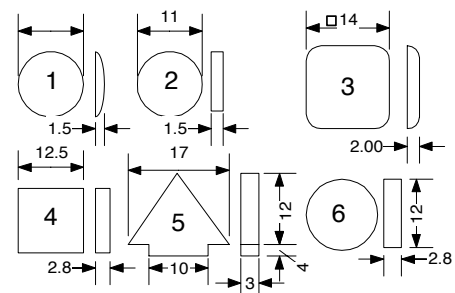


TYPE NO.	517	X	XX	XXXX	- T /	XXX
517 Series Indicator	517					
Lens 11mm circle domed	1					
Lens 11mm circle flat	2					
Lens 14mm square rounded	3					
Lens 12.5mm square	4					
Lens arrow	5					
Lens 12mm circle flat	6					
Stripped wire 155mm long	05					
LED, white cathode & black anode wires	LED					
Filament 6V 40mA, white wire	640					
Filament 14V 40mA, yellow wire	1440					
Filament 24V 35mA, green wire	24					
Filament 28V 30mA, green wire	28					
Neon 125V 1mA, blue wire	125					
Neon 240V 0.8mA, red wire	240					
Transparent lens	T					
Lens colour Red	RED					
Lens colour Green	GRN					
Lens colour Amber	AMB					
Lens colour Clear	CLR					

Body Dimensions



Lens Options



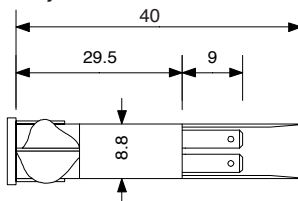
## 518 Series

- Snap fit body for panel thicknesses 0.5-3.5mm, panel cut-out 12mm diameter
- Stripped 6mm wire termination 155mm long, PVC
- Neons 125-240V 0.8-1mA, as standard
- LED and Filament 6-28V 30-40mA, to order
- Polycarbonate lens and body
- Maximum working temperature 105°C
- Red, green, amber lens colour options as standard, clear to order
- Other lens colour options to order
- Four different 14mm lens options
- Custom wire lengths and specification to order

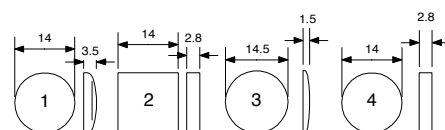


TYPE NO.	518	X	XX	XXXX	- T /	XXX
518 Series Indicator	518					
Lens 14mm circle domed	1					
Lens 14mm square flat	2					
Lens 14.5mm thin circle domed	3					
Lens 11mm circle flat	4					
Stripped wire 155mm long	05					
LED, white cathode & black anode wires	LED					
Filament 6V 40mA, white wire	640					
Filament 14V 40mA, yellow wire	1440					
Filament 24V 35mA, green wire	24					
Filament 28V 30mA, green wire	28					
Neon 125V 1mA, blue wire	125					
Neon 240V 0.8mA, red wire	240					
Transparent lens	T					
Lens colour Red	RED					
Lens colour Green	GRN					
Lens colour Amber	AMB					
Lens colour Clear	CLR					

Body Dimensions



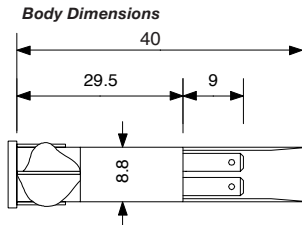
Lens Options



# LEDs & INDICATORS

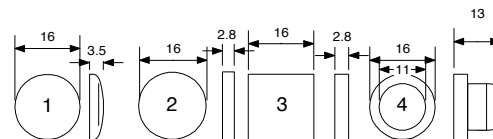
## 519 Series

- Snap fit body for panel thicknesses 0.5-3.5mm, panel cut-out 14mm diameter
- Stripped 6mm wire termination 155mm long, PVC
- Neons 125-240V 0.8-1mA, as standard
- LED and Filament 6-28V 30-40mA, to order
- Polycarbonate lens and body
- Maximum working temperature 105°C
- Red, green, amber, clear lens colour options as standard
- Other lens colour options to order
- Custom wire lengths and specification to order



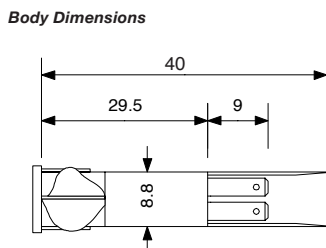
TYPE NO.	519	X	XX-XXXX	- T /	XXX
519 Series Indicator	519				
Lens 16mm circle domed	1				
Lens 16mm circle flat	2				
Lens 16mm square flat	3				
Lens 16/11mm mushroom	4				
Stripped wire 155mm long	05				
LED, white cathode & black anode wires	LED				
Filament 6V 40mA, white wire	640				
Filament 14V 40mA, yellow wire	1440				
Filament 24V 35mA, green wire	24				
Filament 28V 30mA, green wire	28				
Neon 125V 1mA, blue wire	125				
Neon 240V 0.8mA, red wire	240				
Transparent lens	T				
Lens colour Red	RED				
Lens colour Green	GRN				
Lens colour Amber	AMB				
Lens colour Clear	CLR				

### Lens Options



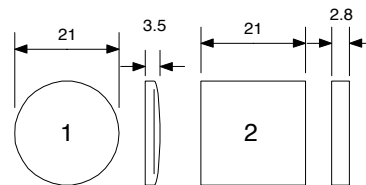
## 521 Series

- Snap fit body for panel thicknesses 0.5-3.5mm, panel cut-out 19mm diameter
- Stripped 6mm wire termination 155mm long, PVC
- Neons 125-240V 0.8-1mA, as standard
- LED and Filament 6-28V 30-40mA, to order
- Polycarbonate lens and body
- Maximum working temperature 105°C
- Red, green, amber clear lens colour options as standard
- Other lens colour options to order
- Custom wire lengths and specification to order



TYPE NO.	521	X	XX-XXXX	- T /	XXX
521 Series Indicator	521				
Lens 21mm circle domed	1				
Lens 21mm square flat	2				
Stripped wire 155mm long	05				
LED, white cathode & black anode wires	LED				
Filament 6V 40mA, white wire	640				
Filament 14V 40mA, yellow wire	1440				
Filament 24V 35mA, green wire	24				
Filament 28V 30mA, green wire	28				
Neon 125V 1mA, blue wire	125				
Neon 240V 0.8mA, red wire	240				
Transparent lens	T				
Lens colour Red	RED				
Lens colour Green	GRN				
Lens colour Amber	AMB				
Lens colour Clear	CLR				

### Lens Options



PCB  
TERMINAL  
BLOCKS

INTER-  
CONNECTION

FUSES &  
FUSE-  
HOLDERS

LEDs &  
INDICATORS

MINIATURE  
SWITCHES

LIMIT &  
SAFETY  
SWITCHES

CONTROL  
PRODUCTS

INTERFACE  
MODULES &  
SUPPORTS

RELAY  
BASES

ENCLOSURES

BATTERIES

TRANS-  
FORMERS

# LEDs & INDICATORS

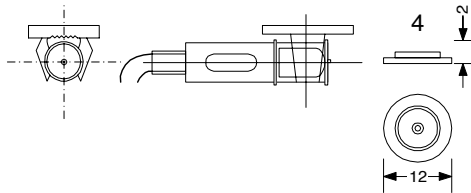
## 580 Series

- Open ended body with 90° snap on lens
- Stripped 6mm wire termination 200mm long, PVC
- Neons 240V 0.8mA as standard, 125V 1mA to order
- Polysulphone body and lens
- Red, green, amber and clear lens colour options as standard
- Maximum working temperature 105°C
- Custom wire lengths and specification to order



TYPE NO.	501	X	XX-XXXX	- T / XXX
580 Series Indicator	580			
Lens Type	1			
Stripped wire 200mm long	05			
Neon 125V 1mA, blue wire	125			
Neon 240V 0.8mA, red wire	240			
Transparent lens	T			
Lens colour Red	RED			
Lens colour Green	GRN			
Lens colour Amber	AMB			
Lens colour Clear	CLR			

Body Profile



Lens Options

PCB  
TERMINAL  
BLOCKS

INTER-  
CONNECTION

FUSES &  
FUSE-  
HOLDERS

LEDs &  
INDICATORS

MINIATURE  
SWITCHES

LIMIT &  
SAFETY  
SWITCHES

CONTROL  
PRODUCTS

INTERFACE  
MODULES &  
SUPPORTS

RELAY  
BASES

ENCLOSURES

BATTERIES

TRANS-  
FORMERS



**CAMDENBOSS**  
ELECTRONICS & ENCLOSURES

60 James Carter Road  
Mildenhall  
Suffolk  
IP28 7DE  
UK

+44 (0) 1638 716101  
info@camdenboss.com  
www.camdenboss.com