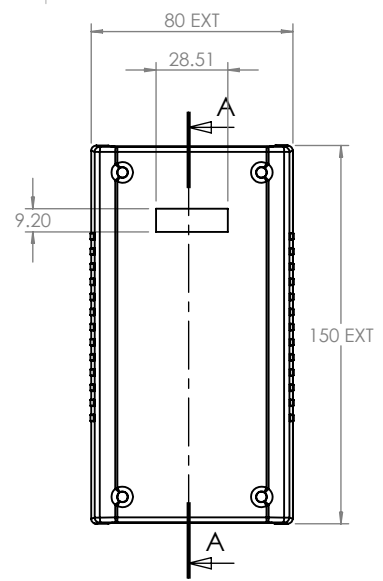
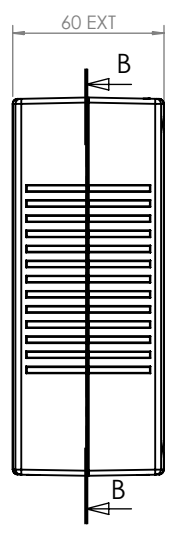
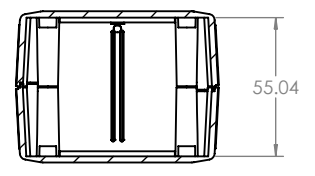
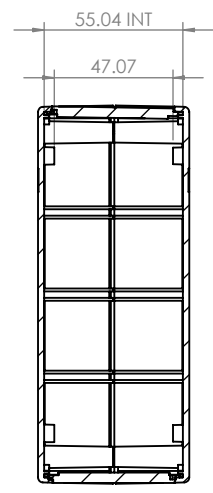


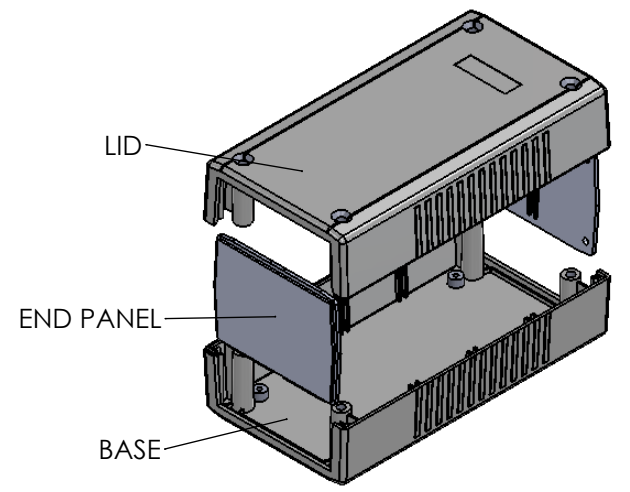
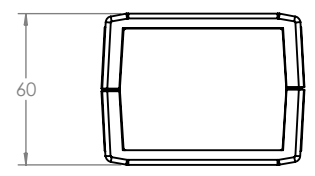
SECTION B-B



SECTION A-A



SECTION C-C



**CAMDENBOSS**  
ELECTRONICS & ENCLOSURES  
JAMES CARTER RD, MILDENHALL, SUFFOLK. IP28 7DE  
TEL: 01638 716101 FAX: 01638 716554  
EMAIL: Sales@CamdenBoss.com  
WEB: www.CamdenBoss.com

UNLESS OTHERWISE SPECIFIED:  
DIMENSIONS ARE IN MILLIMETERS  
GENERAL TOLERANCES +/- 0.2  
FINISH. TEXTURED  
MATERIAL. UL94-V0

DO NOT SCALE DRAWING  
REVISION. 0  
TITLE: GENERAL ASSY DRAWING FOR 3400 SERIES  
DWG NO. 3400-18  
SCALE: 1 : 3

|       | NAME         | SIGNED | DATE     |
|-------|--------------|--------|----------|
| DRAWN | JAMIE JACOBS | JNJ    | 12/11/12 |
| CHK'D | -            | -      | -        |

PROJECTION.

SHEET 1 OF 1

A4