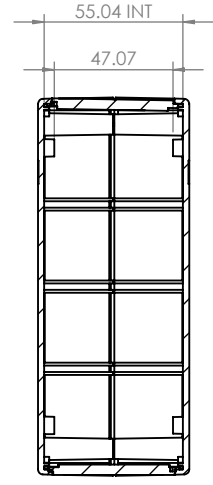
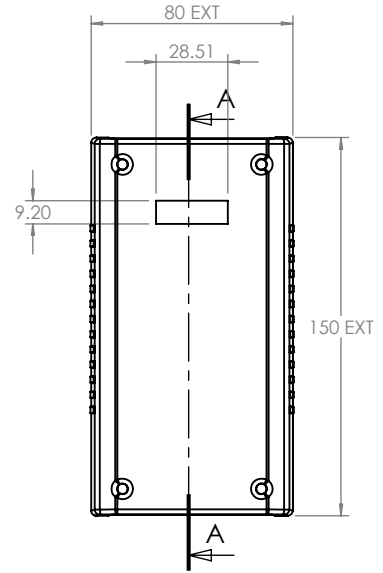
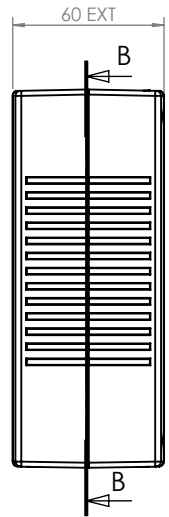
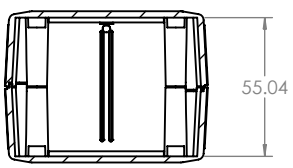


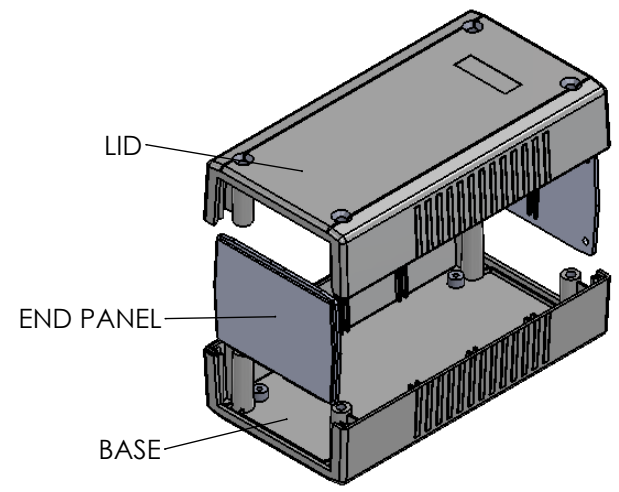
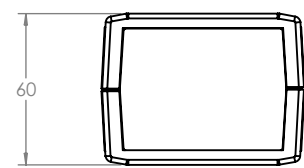
SECTION B-B



SECTION A-A



SECTION C-C



CAMDENBOSS
ELECTRONICS & ENCLOSURES
JAMES CARTER RD, MILDENHALL, SUFFOLK. IP28 7DE
TEL: 01638 716101 FAX: 01638 716554
EMAIL: Sales@CamdenBoss.com
WEB: www.CamdenBoss.com

UNLESS OTHERWISE SPECIFIED:
DIMENSIONS ARE IN MILLIMETERS
GENERAL TOLERANCES +/- 0.2
FINISH. TEXTURED
MATERIAL. UL94-V0

DO NOT SCALE DRAWING REVISION. 0
TITLE: GENERAL ASSY DRAWING FOR 3400 SERIES
DWG NO. 3400-47

	NAME	SIGNED	DATE
DRAWN	JAMIE JACOBS	JNJ	12/11/12
CHK'D	-	-	-

PROJECTION.

SCALE: 1 : 3 SHEET 1 OF 1

A4