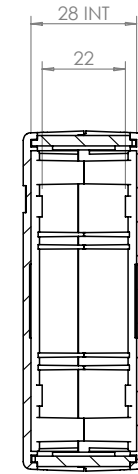
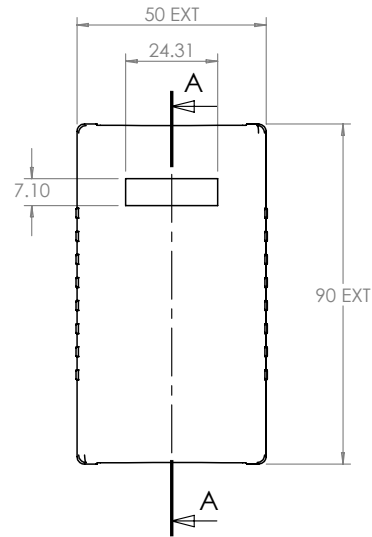
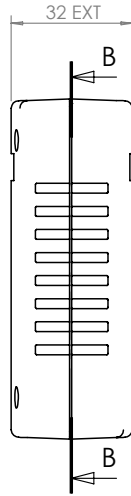
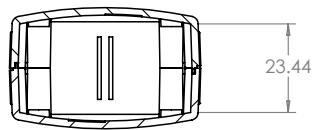


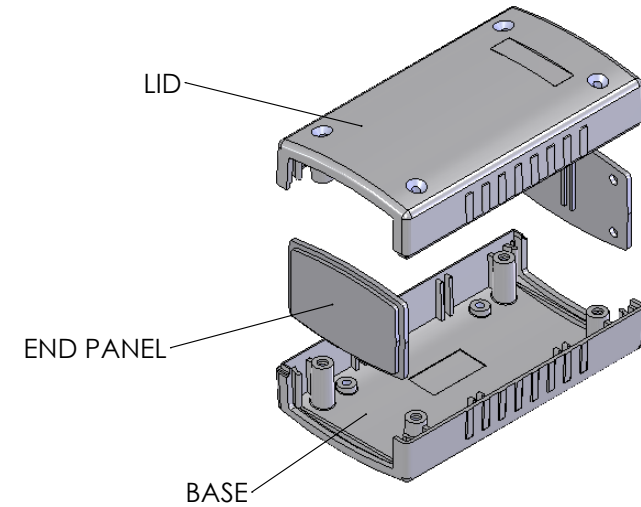
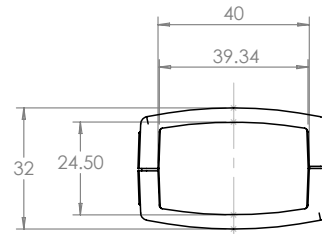
SECTION B-B



SECTION A-A



SECTION C-C



**CAMDENBOSS**  
ELECTRONICS & ENCLOSURES

JAMES CARTER RD, MILDENHALL, SUFFOLK. IP28 7DE  
TEL: 01638 716101 FAX: 01638 716554  
EMAIL: Sales@CamdenBoss.com  
WEB: www.CamdenBoss.com

UNLESS OTHERWISE SPECIFIED:  
DIMENSIONS ARE IN MILLIMETERS

GENERAL TOLERANCES +/- 0.2

FINISH. TEXTURED

MATERIAL. ABS

PROJECTION.

DO NOT SCALE DRAWING

REVISION. 0

TITLE: GENERAL ASSY DRAWING FOR  
3400 SERIES

DWG NO. 3400-34

A4

	NAME	SIGNED	DATE
DRAWN	L. SUBKHANKULOVA	LS	01/04/11
CHKD	-	-	-

CHKD	-	-	-
------	---	---	---

SCALE: 1 : 2

SHEET 1 OF 1