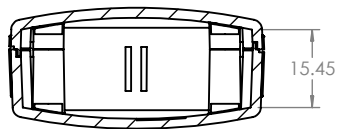
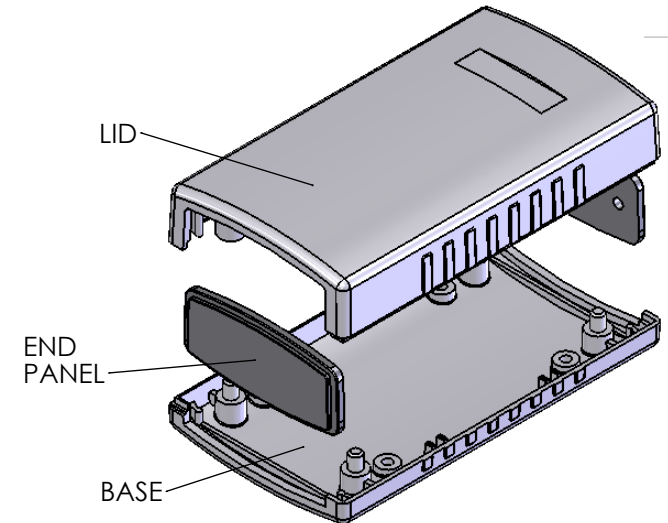
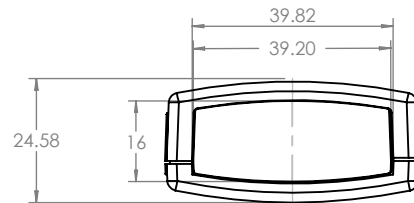


SECTION A-A



SECTION C-C



CAMDENBOSS
ELECTRONICS & ENCLOSURES
JAMES CARTER RD, MILDENHALL, SUFFOLK, IP28 7DE
TEL: 01638 716101 FAX: 01638 716554
EMAIL: Sales@CamdenBoss.com
WEB: www.CamdenBoss.com

UNLESS OTHERWISE SPECIFIED:
DIMENSIONS ARE IN MILLIMETERS

GENERAL TOLERANCES +/- 0.2

FINISH: TEXTURED

MATERIAL: ABS

PROJECTION:

DO NOT SCALE DRAWING

REVISION: 0

TITLE: GENERAL ASSY DRAWING FOR 3400 SERIES

DWG NO. 3400-31

A4

SCALE: 2 : 3

SHEET 1 OF 1

	NAME	SIGNED	DATE
DRAWN	JAMIE JACOBS	JNJ	12/11/12
CHK'D	-	-	-