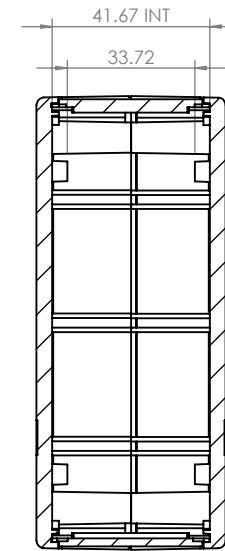
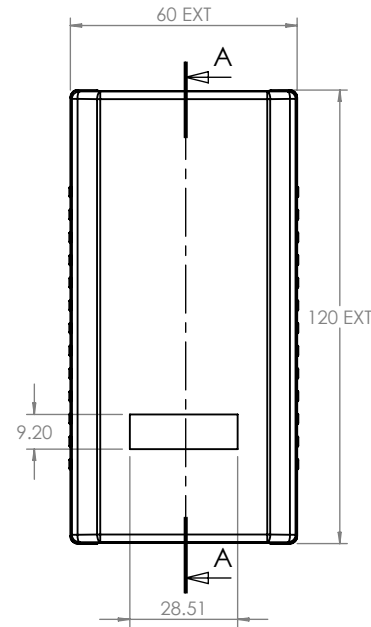
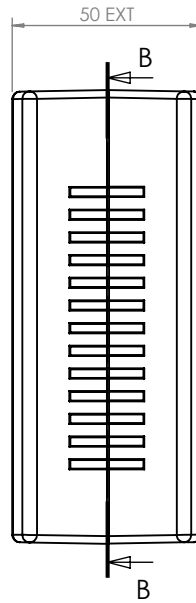
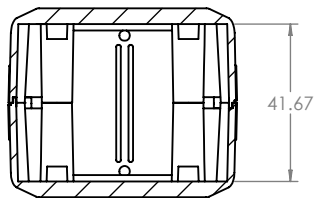


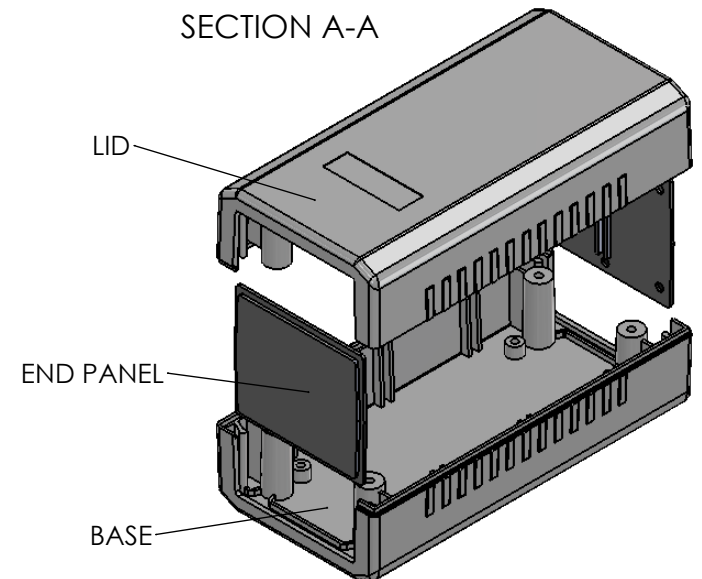
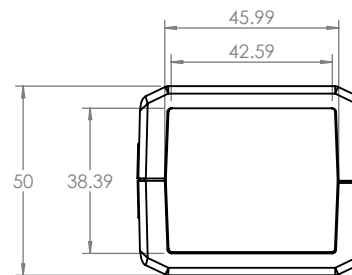
SECTION B-B



SECTION A-A



SECTION C-C



<p>JAMES CARTER RD, MILDENHALL, SUFFOLK. IP28 7DE TEL: 01638 716101 FAX: 01638 716554 EMAIL: Sales@CamdenBoss.com WEB: www.CamdenBoss.com</p>			UNLESS OTHERWISE SPECIFIED: DIMENSIONS ARE IN MILLIMETERS		DO NOT SCALE DRAWING		REVISION. 0		
			GENERAL TOLERANCES +/- 0.2		TITLE: GENERAL ASSY DRAWING FOR 3400 SERIES				
			FINISH: TEXTURED		MATERIAL: UL94-VO		DWG NO. 3400-12		A4
DRAWN: JAMIE JACOBS			SIGNED: JNJ		DATE: 09/11/12		SCALE: 1 : 2		SHEET 1 OF 1
CHKD: -			-		-		PROJECTION:		