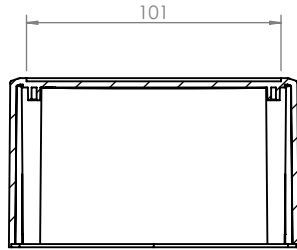


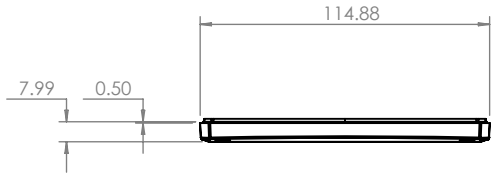
OVERALL ASSEMBLY DIMENSIONS:

EXTERNAL - 190 x 155 x 75

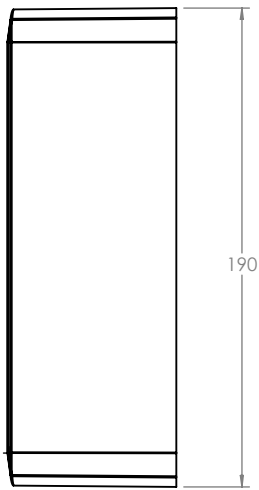
INTERNAL - 185 x 150 x 67.5



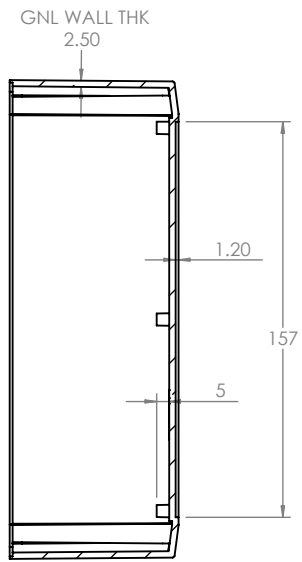
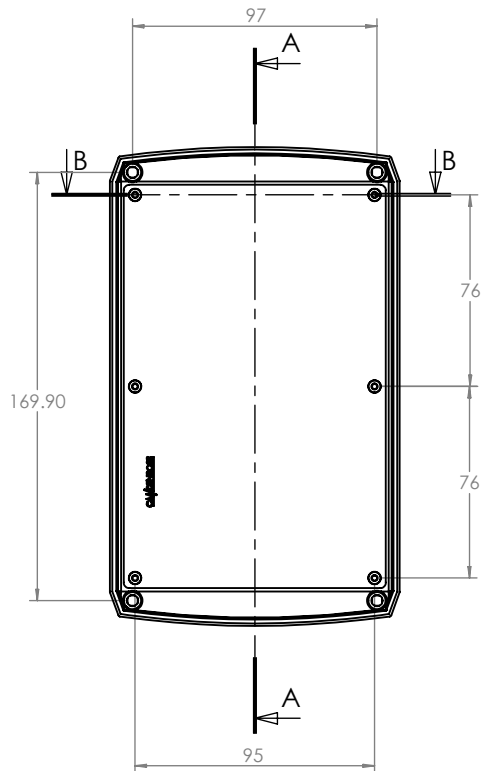
SECTION B-B



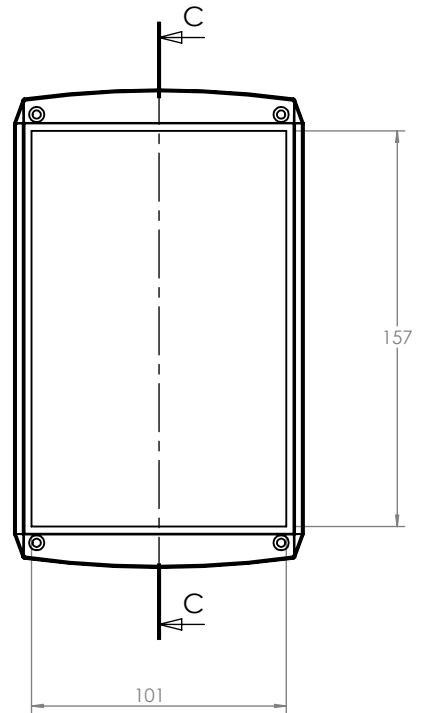
ISO VIEW
1:5



BASE

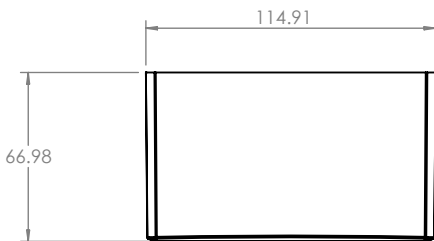


SECTION A-A



SECTION C-C

LID



CAMDENBOSS
ELECTRONICS & ENCLOSURES

JAMES CARTER RD, MILDENHALL, SUFFOLK. IP28 7DE
TEL: 01638 716101 FAX: 01638 716554
EMAIL: Sales@CamdenBoss.com
WEB: www.CamdenBoss.com

UNLESS OTHERWISE SPECIFIED:
DIMENSIONS ARE IN MILLIMETERS

GENERAL TOLERANCES +/- 0.2

FINISH. SMOOTH

MATERIAL. ABS & POLYCARBONATE

PROJECTION.

DO NOT SCALE DRAWING

REVISION. ○

TITLE: GENERAL DIMENSION DRAWING FOR 1100 SERIES SIZE 4

	NAME	SIGNED	DATE
DRAWN	IAN PAGANO	I.P.	22/07/13
CHKD	-	-	-

DWG NO. CSACTT005

SCALE: 1:2

SHEET 1 OF 1

A4