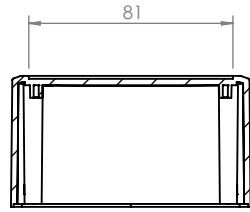


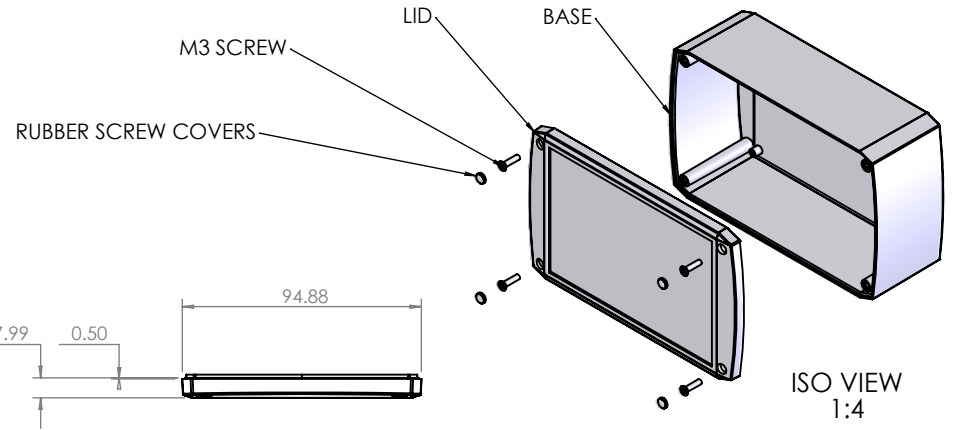
OVERALL ASSEMBLY DIMENSIONS:

EXTERNAL - 155 x 95 x 60

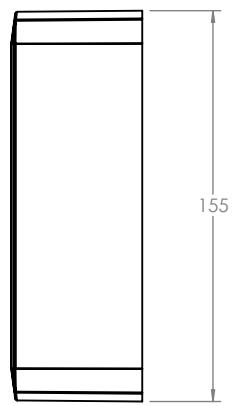
INTERNAL - 150 x 90 x 52.5



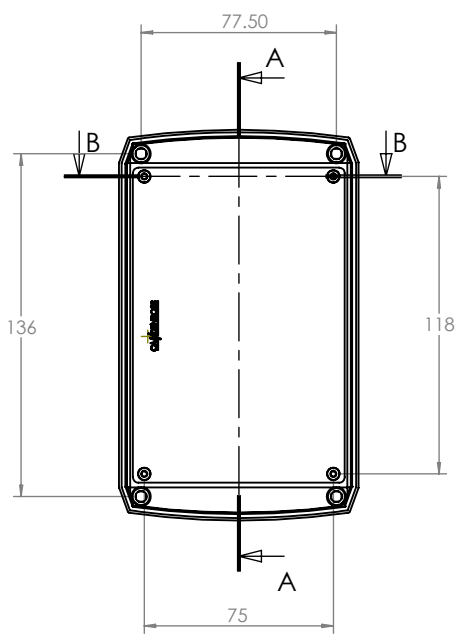
SECTION B-B



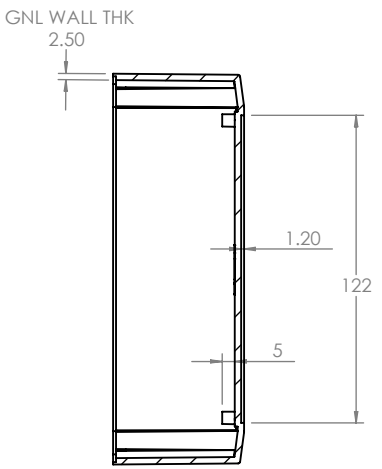
ISO VIEW 1:4



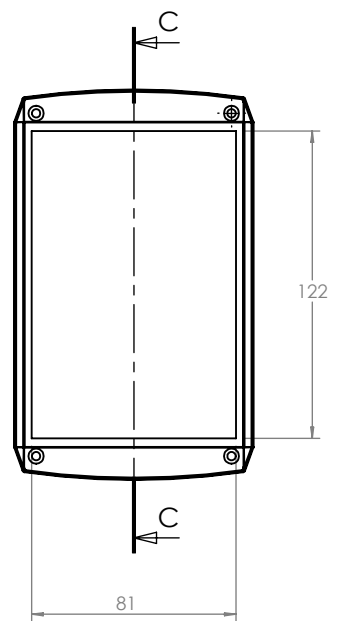
BASE



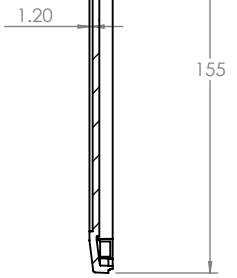
SECTION A-A



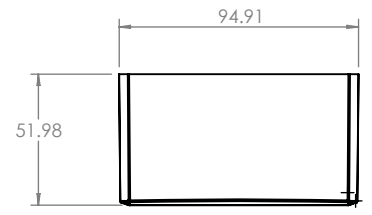
GNL WALL THK 2.50



SECTION C-C



LID



<p>JAMES CARTER RD, MILDENHALL, SUFFOLK. IP28 7DE          TEL: 01638 716101 FAX: 01638 716554          EMAIL: Sales@CamdenBoss.com          WEB: www.CamdenBoss.com</p>				UNLESS OTHERWISE SPECIFIED: DIMENSIONS ARE IN MILLIMETERS		DO NOT SCALE DRAWING		REVISION. 0		
				FINISH. SMOOTH		TITLE: GNL ASSEMBLY DRG FOR 1101 SERIES - CSACT004				
DRAWN IAN PAGANO		SIGNED I.P.		DATE 06/07/13		MATERIAL. ABS & POLYCARBONATE		DWG NO. CSACTT004		A4
CHKD -		-		-		PROJECTION.		SCALE. 1 : 3		SHEET 1 OF 1