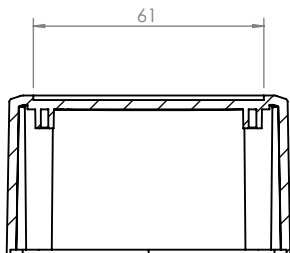


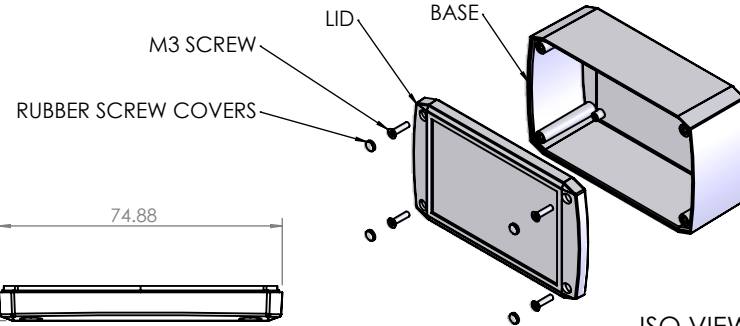
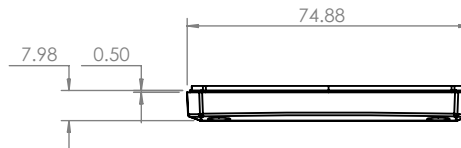
OVERALL ASSEMBLY DIMENSIONS:

EXTERNAL - 125 x 75 x 50

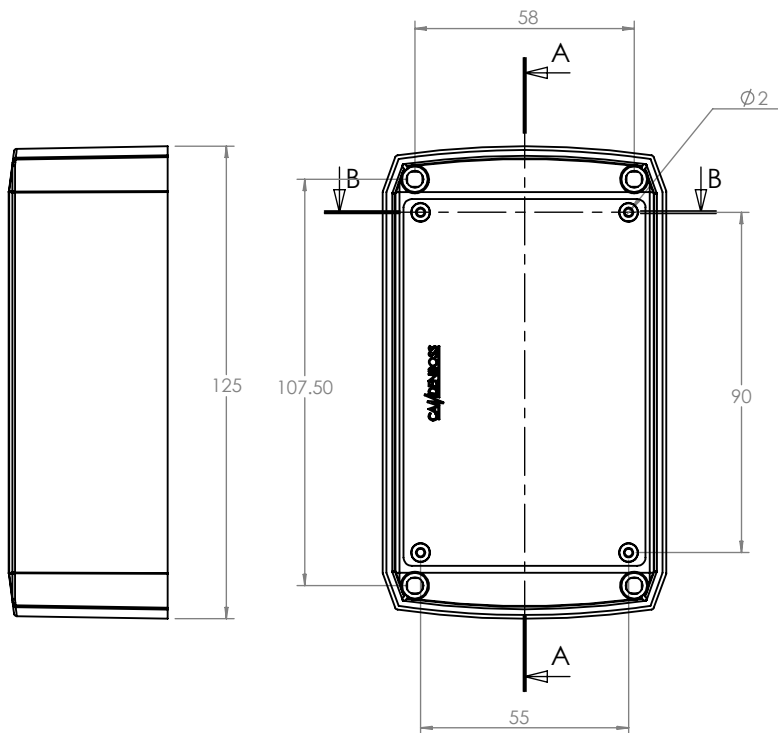
INTERNAL - 120 x 70 x 42.5



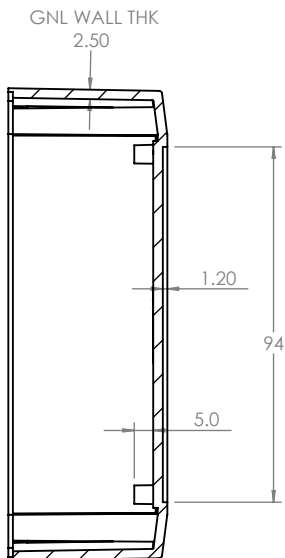
SECTION B-B



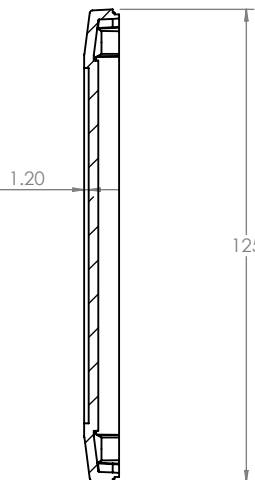
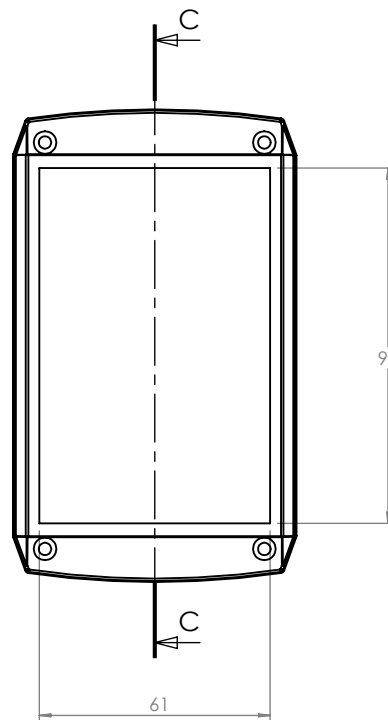
ISO VIEW 1:4



BASE

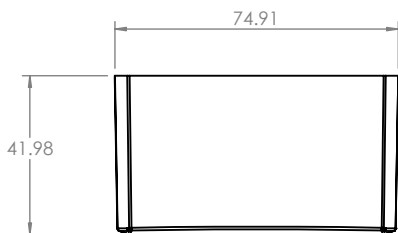


SECTION A-A



SECTION C-C

LID



		UNLESS OTHERWISE SPECIFIED: DIMENSIONS ARE IN MILLIMETERS		DO NOT SCALE DRAWING	REVISION: 0
		FINISH: SMOOTH		TITLE: GNL ASSEMBLY DRG FOR 1101 SERIES - CSACTT003	
JAMES CARTER RD, MILDENHALL, SUFFOLK, IP28 7DE TEL: 01638 716101 FAX: 01638 716554 EMAIL: SALES@CAMDENBOSS.COM WEB: WWW.CAMDENBOSS.COM		MATERIAL: ABS & POLYCARBONATE		DWG NO. CSACTT003	A4
DRAWN	IAN PAGANO	SIGNED	I.P.	DATE	06/07/13
CHKD	-	-	-	PROJECTION:	
				SCALE: 1:2	SHEET 1 OF 1