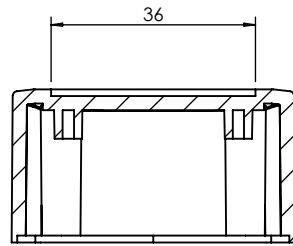


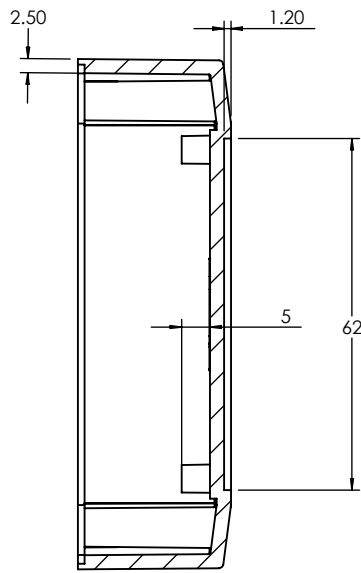
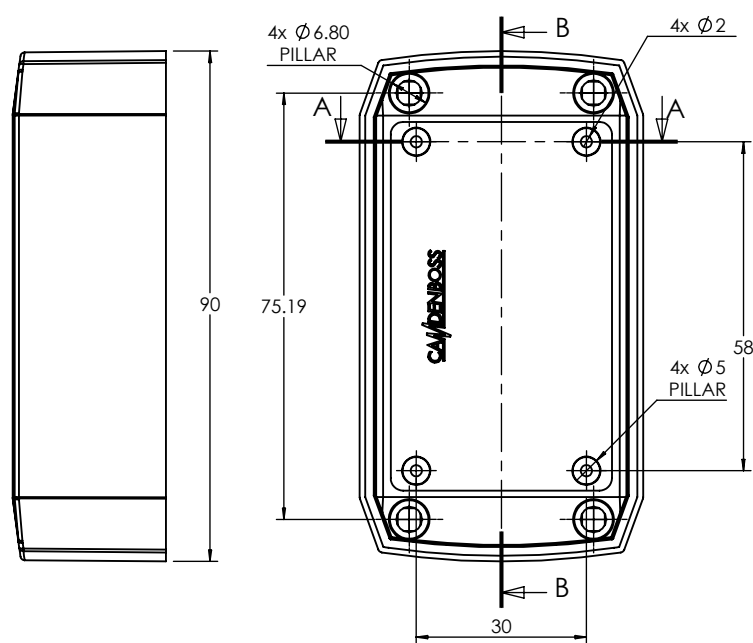
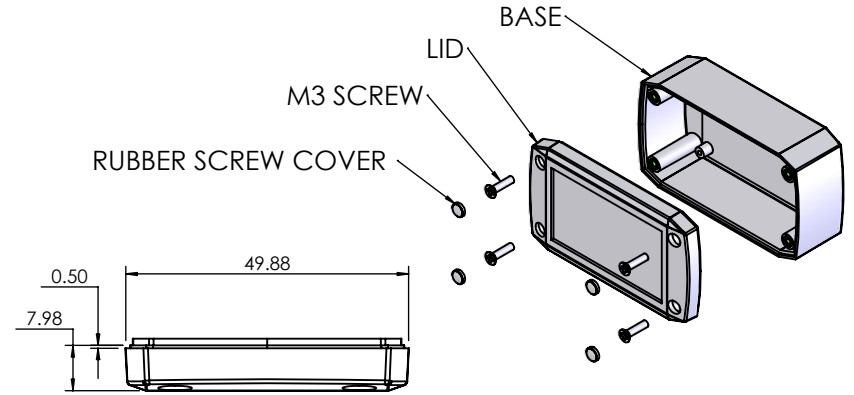
OVERALL ASSEMBLY DIMENSIONS:

EXTERNAL - 90 x 50 x 35

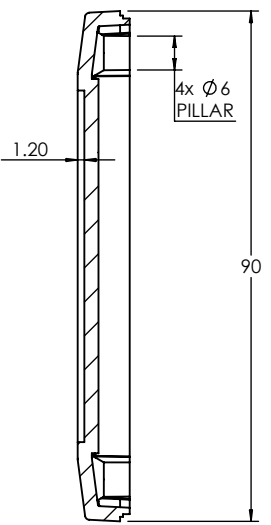
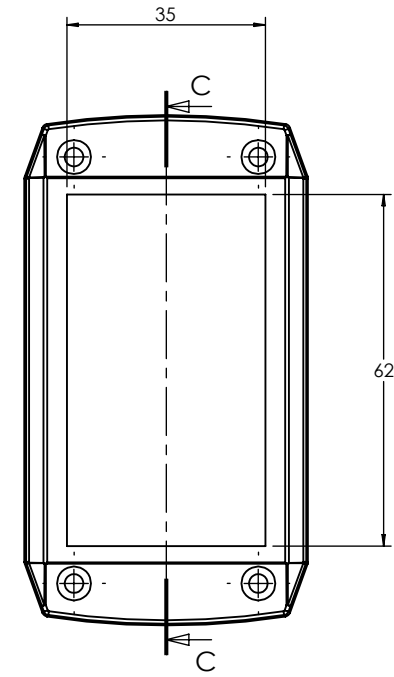
INTERNAL - 85 x 45 x 27.5



SECTION A-A

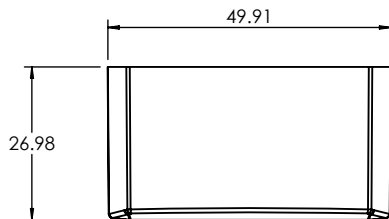


SECTION B-B



SECTION C-C

BASE



LID



JAMES CARTER RD, MILDENHALL, SUFFOLK, IP28 7DE  
 TEL: 01638 716101 FAX: 01638 716554  
 EMAIL: Sales@CamdenBoss.com  
 WEB: www.CamdenBoss.com

UNLESS OTHERWISE SPECIFIED:  
 DIMENSIONS ARE IN MILLIMETERS

FINISH:  
 SMOOTH

MATERIAL: ABS &  
 POLYCARBONATE

DO NOT SCALE DRAWING

REVISION: 0

TITLE:  
 GNL ASSEMBLY DRG FOR  
 1101 SERIES - CSACT001

DWG NO.

CSACTT001

A4

	NAME	SIGNED	DATE
DRAWN	IAN PAGANO	I.P.	06/08/13
CHKD	-	-	-

PROJECTION:

SCALE: 3 : 4

SHEET 1 OF 1