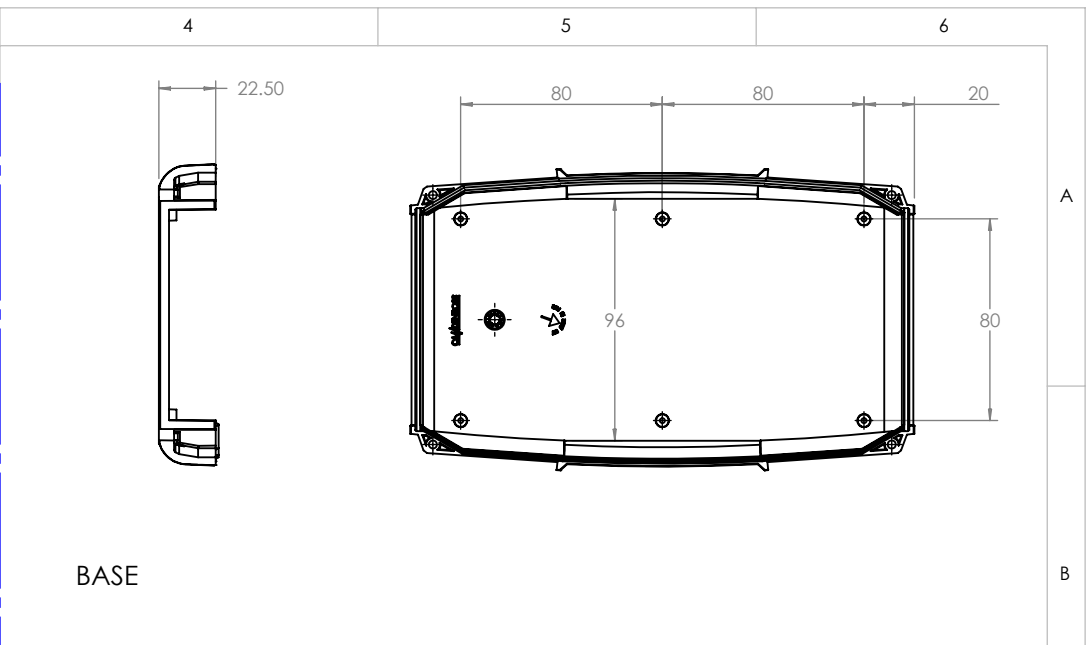
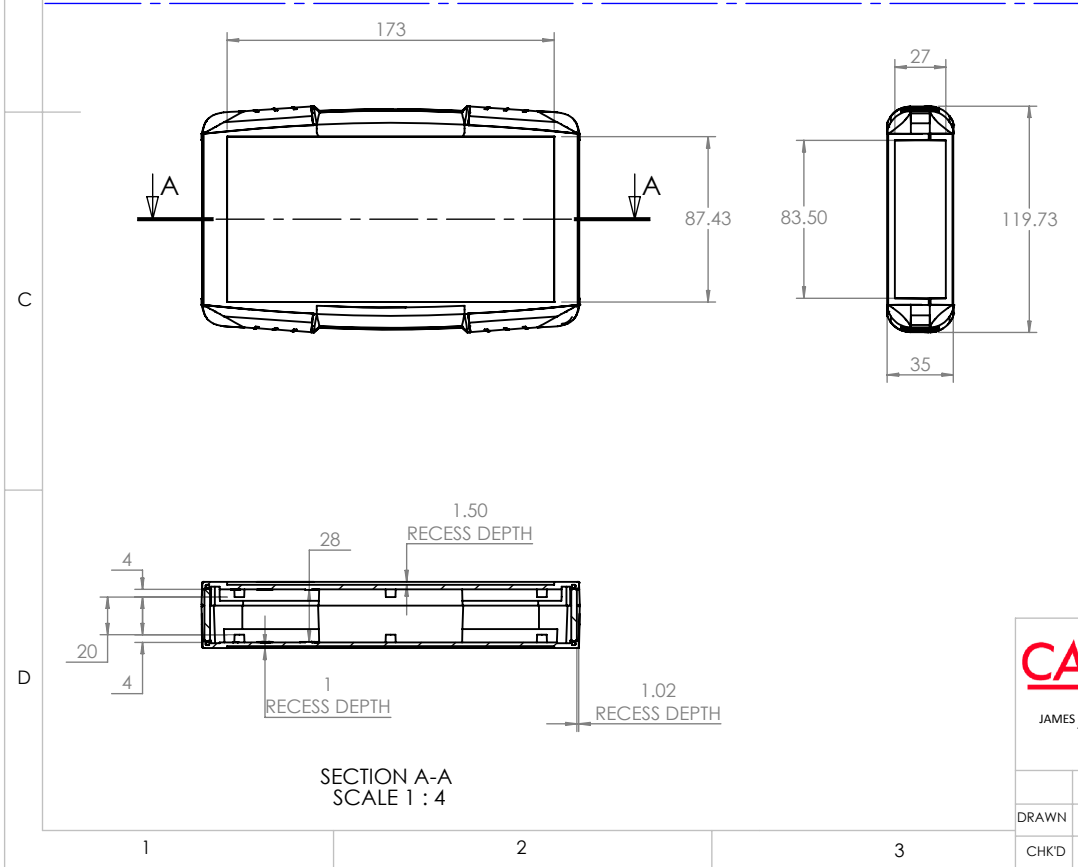


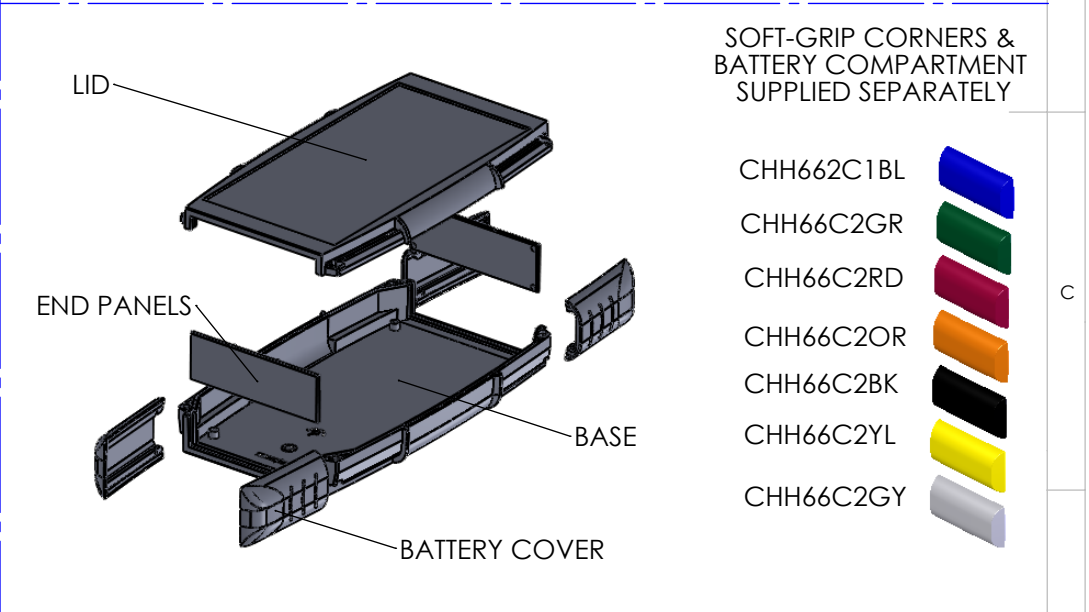
LID



BASE



SECTION A-A  
SCALE 1 : 4



SOFT-GRIP CORNERS &  
BATTERY COMPARTMENT  
SUPPLIED SEPARATELY

- CHH662C1BL
- CHH662C2GR
- CHH662C2RD
- CHH662C2OR
- CHH662C2BK
- CHH662C2YL
- CHH662C2GY

|   |            |  |      |                                       |          |                   |  |
|---|------------|--|------|---------------------------------------|----------|-------------------|--|
|   |            | UNLESS OTHERWISE SPECIFIED:<br>DIMENSIONS ARE IN MILLIMETERS |      | DO NOT SCALE DRAWING                  |          | REVISION. 0       |  |
|   |            | GENERAL TOLERANCES +/- 0.2                                   |      | TITLE: GNL ASSEMBLY DRG FOR 66 SERIES |          |                   |  |
| JAMES CARTER RD, MILDENHALL, SUFFOLK. IP28 7DE<br>TEL: 01638 716101 FAX: 01638 716554<br>EMAIL: Sales@CamdenBoss.com<br>WEB: www.CamdenBoss.com |            | FINISH:<br>LIGHT SPARK                                       |      | MATERIAL: ULP4-V0 ABS<br>BLACK        |          | DWG NO. CHH666NBK |  |
| DRAWN   | IAN PAGANO | SIGNED   | I.P. | DATE                                  | 14/01/13 | SCALE: 1 : 2      |  |
| CHKD  | -          | -  | -    | PROJECTION.                           |          | SHEET 1 OF 1      |  |