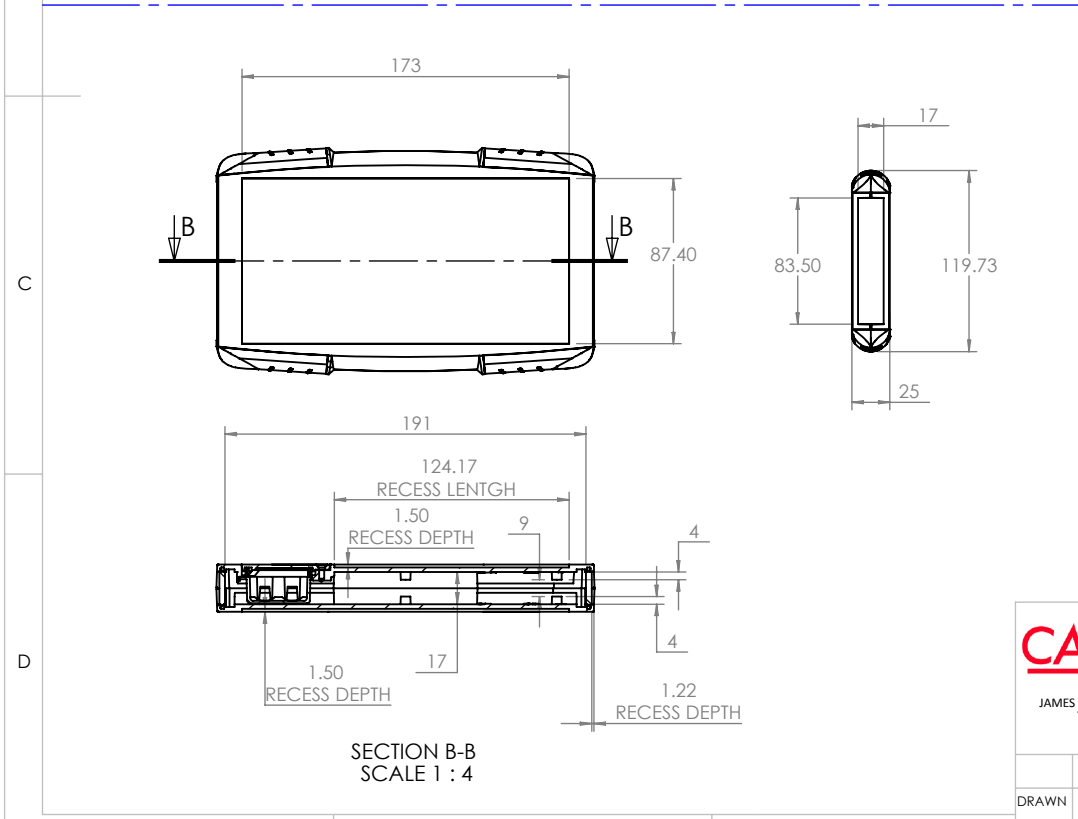
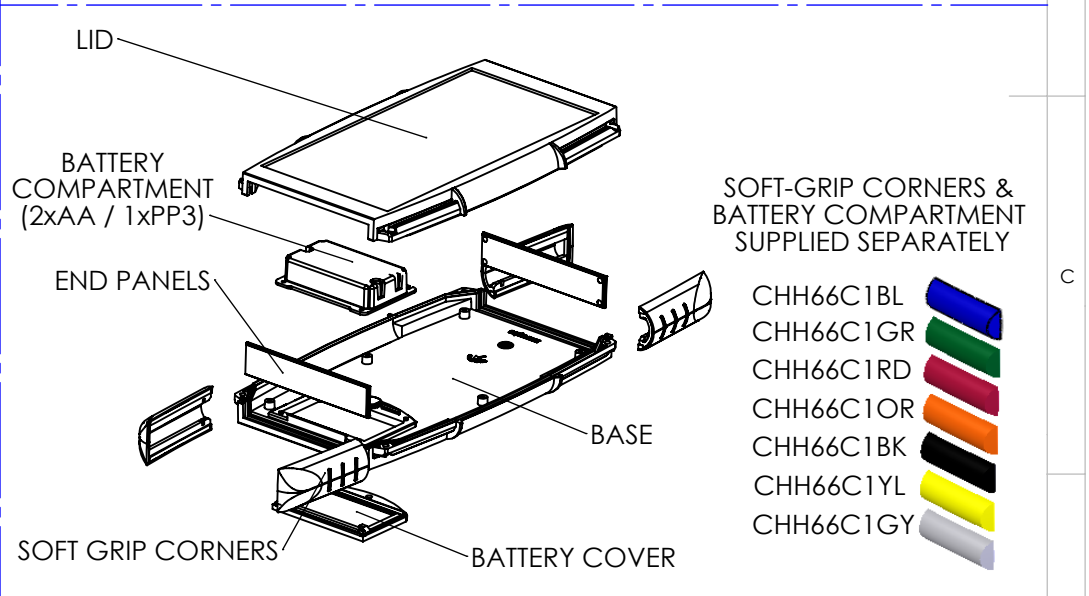


LID

BASE



SECTION B-B  
SCALE 1 : 4



SOFT-GRIP CORNERS &  
BATTERY COMPARTMENT  
SUPPLIED SEPARATELY

- CHH66C1BL
- CHH66C1GR
- CHH66C1RD
- CHH66C1OR
- CHH66C1BK
- CHH66C1YL
- CHH66C1GY

		UNLESS OTHERWISE SPECIFIED: DIMENSIONS ARE IN MILLIMETERS		DO NOT SCALE DRAWING		REVISION. 0	
		GENERAL TOLERANCES +/- 0.2		TITLE: <b>GNL ASSEMBLY DRG FOR 66 SERIES</b>			
JAMES CARTER RD, MILDENHALL, SUFFOLK. IP28 7DE TEL: 01638 716101 FAX: 01638 716554 EMAIL: Sales@CamdenBoss.com WEB: www.CamdenBoss.com		FINISH: <b>LIGHT SPARK</b>		MATERIAL: <b>UL94-VO ABS BLACK</b>		DWG NO. <b>CHH665BBK</b>	
DRAWN	IAN PAGANO	SIGNED	I.P.	DATE	11/01/13	SCALE.	SHEET 1 OF 1
CHKD	-	-	-	-	-		A4