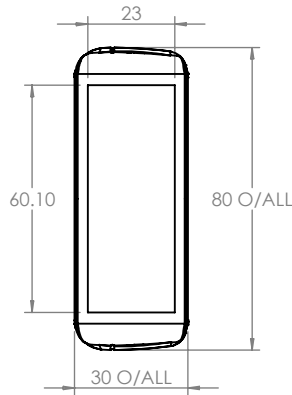
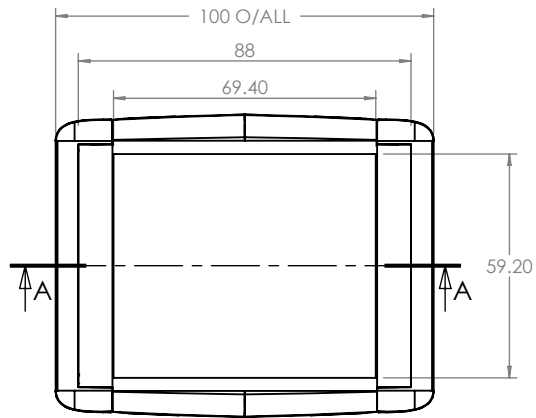
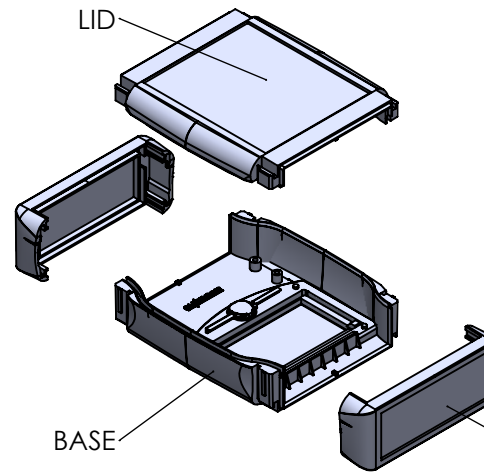


BASE

TOP

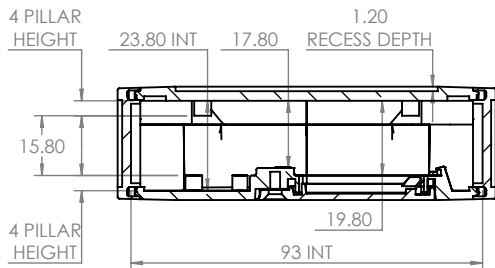


ISO VIEW
1:3



END CAP & BATTERY COMPARTMENTS SUPPLIED SEPERATELY

- CHH64E2OR
- CHH64E2GR
- CHH64E2YL
- CHH64E2BL
- CHH64E2RD
- CHH64E2DG
- CHH64E2BK



ASSEMBLY SECTION A-A

CAMDENBOSS
ELECTRONICS & ENCLOSURES
JAMES CARTER RD, MILDENHALL, SUFFOLK. IP28 7DE
TEL: 01638 716101 FAX: 01638 716554
EMAIL: Sales@CamdenBoss.com
WEB: www.CamdenBoss.com

UNLESS OTHERWISE SPECIFIED:
DIMENSIONS ARE IN MILLIMETERS

GENERAL TOLERANCES +/- 0.2

FINISH. LIGHT SPARK

MATERIAL UL94-V0 ABS BLACK

DO NOT SCALE DRAWING

REVISION.

TITLE: GENERAL ASSEMBLY DRAWING FOR 64 SERIES

DWG NO. CHH642BBK

A4

	NAME	SIGNED	DATE
DRAWN	JAMIE JACOBS	JJ	26/06/13
CHK'D	-	-	-

PROJECTION.

SCALE: 1 : 2

SHEET 1 OF 1