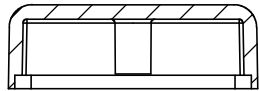


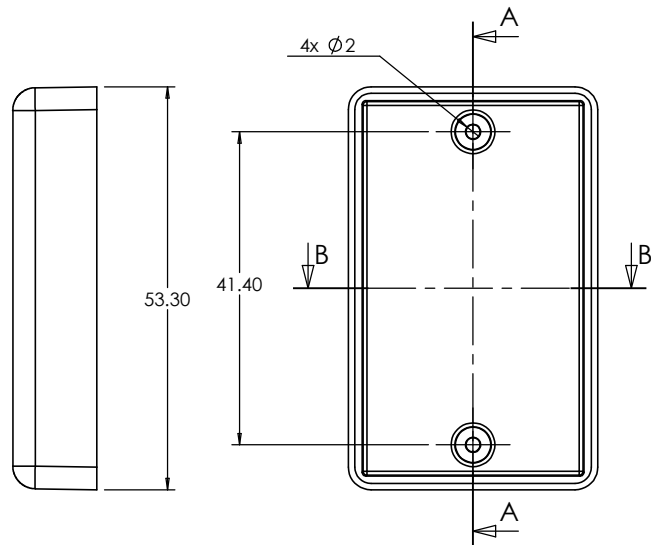
OVERALL ASSEMBLY DIMENSIONS:

EXTERNAL - 65 x 33 x 15

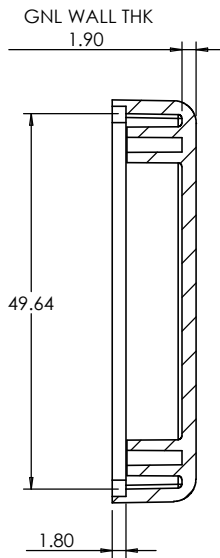
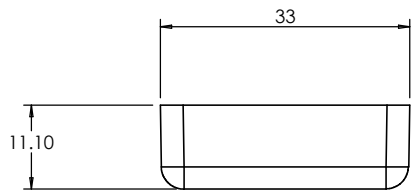
INTERNAL - 49.5 x 29 x 11



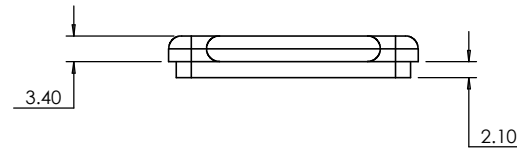
SECTION B-B



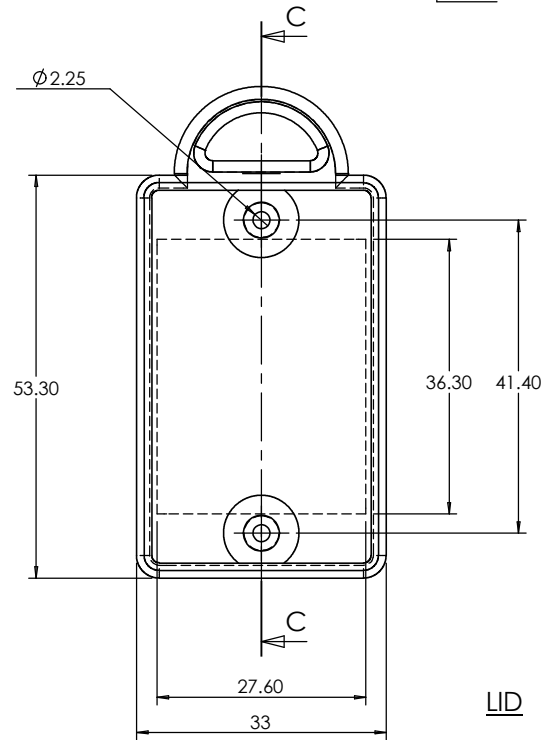
BASE



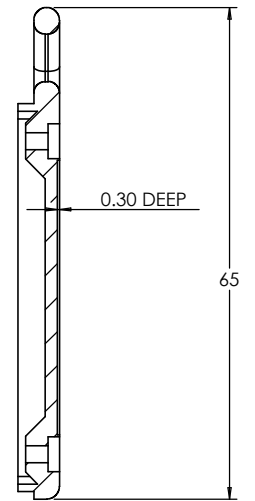
SECTION A-A



ISO VIEW
1:2



LID



SECTION C-C

SELF TAPPING SCREWS

LID

BASE

 JAMES CARTER RD, MILDENHALL, SUFFOLK. IP28 7DE TEL: 01638 716101 FAX: 01638 716554 EMAIL: Sales@CamdenBoss.com WEB: www.CamdenBoss.com				UNLESS OTHERWISE SPECIFIED: DIMENSIONS ARE IN MILLIMETERS		DO NOT SCALE DRAWING		REVISION. 0		
				FINISH. LIGHT SPARK		TITLE: ASSEMBLY DRG FOR 2956-				
DRAWN S.HARDINGE		SIGNED SJH		DATE 19/02/08		MATERIAL. ABS		DWG NO. 2956		A4
CHK'D -		-		-		PROJECTION. 		SCALE. 1 : 1		SHEET 1 OF 1