

# HAND HELD CASES

## 2950 Series IR Pocket Cases

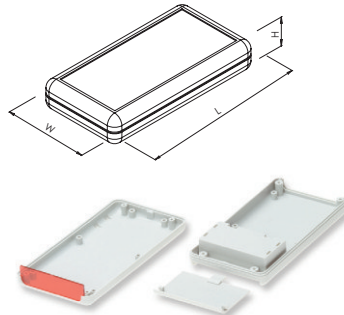
Low-profile enclosures with battery compartment and interchangeable front panel for test and measurement equipments, remote controls and wireless technology

- Moulded in high impact ABS or UL-94 V0 ABS
- Low profile moulding
- Pocket sized cases
- Recesses top & base
- Snap-on battery compartment on lid
- PCB pillars in lid & base

SPECIFICATION		
<b>Materials</b>	2950 - 39	High impact ABS
	2950 - 39 UL	UL-94 V0 ABS
	2950 - 89	High impact ABS
<b>Protection class</b>	IP54	
<b>Standard colours</b>	Light grey similar to RAL 9002	
	Black similar to RAL 9004	
<b>Standard unit includes</b>	Lid & base	
	ABS front panel	
	4x M3 machine screws	
<b>Options</b>	Infrared panel	
	Battery contact kit	

HAND HELD CASES

BLACK	LIGHT GREY	LENGTH	WIDTH	HEIGHT	MATERIAL	STYLE
2950-39B	2950-39G	135mm	70mm	24mm	HB	Battery compartment
2950-39BUL	2950-39GUL	135mm	70mm	24mm	VO	Battery compartment
-	2950-89G	172mm	77mm	25mm	HB	-



### infrared Panel

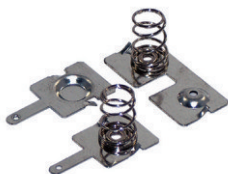
- Infrared panel moulded in acrylic (UL-94 HB)



TYPE NO.	DESCRIPTION
2950-39-TP	Infrared Panel

### Battery Contact Kit

- AA size battery contact kit push-fit into pre-moulded pillars inside the case



TYPE NO.	DESCRIPTION
2950-310	Battery contact kit