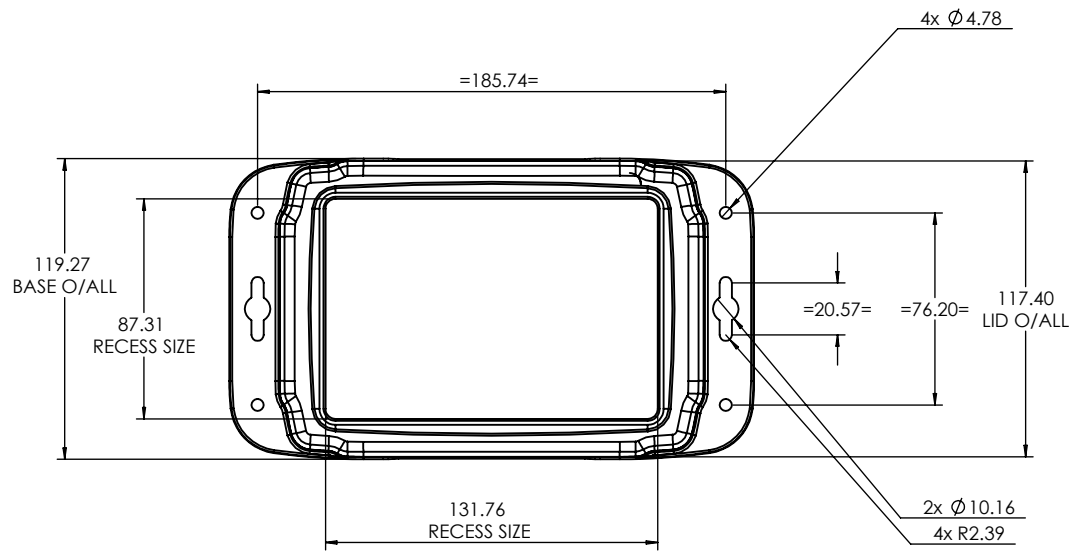


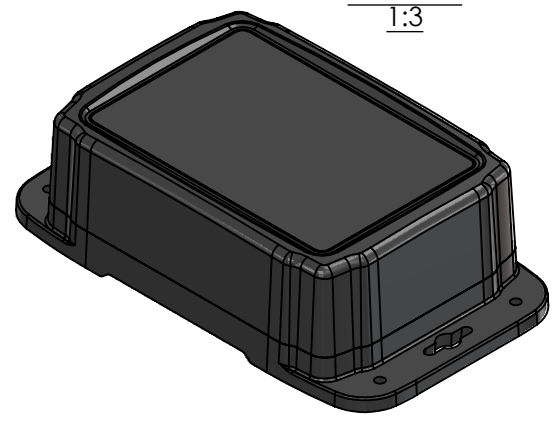
1 2 3 4 5 6

A

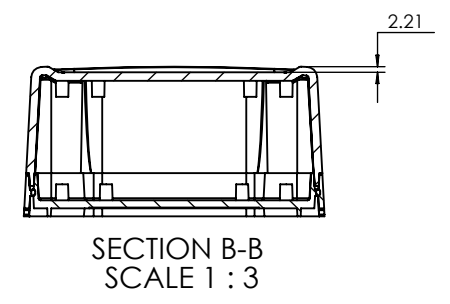
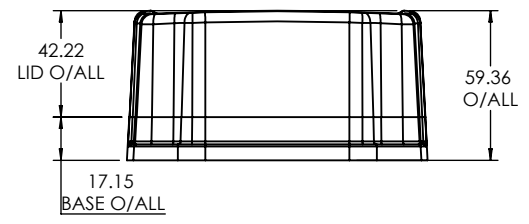
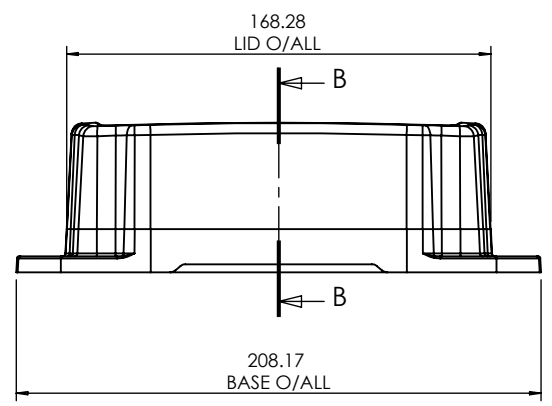
B



ISO VIEW
1:3



C



SECTION B-B
SCALE 1 : 3

D

<p>JAMES CARTER RD, MILDENHALL, SUFFOLK. IP28 7DE TEL: 01638 716101 FAX: 01638 716554 EMAIL: Sales@CamdenBoss.com WEB: www.CamdenBoss.com</p>				UNLESS OTHERWISE SPECIFIED: DIMENSIONS ARE IN MILLIMETERS		DO NOT SCALE DRAWING		REVISION. ○	
				GENERAL TOLERANCES +/- 0.2		TITLE: GENERAL DIMENSION DRAWING FOR CHD7102BK			
				FINISH. FINE TEXTURE		DWG NO.		CHD7102BK	
DRAWN IAN PAGANO				SIGNED I.P.		DATE 09/09/13		MATERIAL. UL - 94 V0 PC	
CHK'D -				-		-		PROJECTION.	
						SCALE: 1:3		SHEET 1 OF 1	

1 2 3 4 5 6