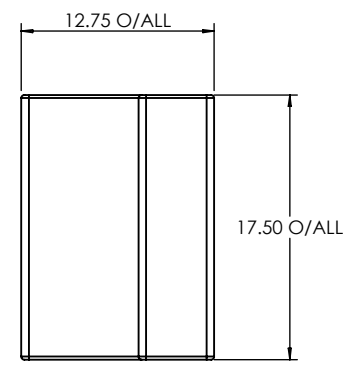
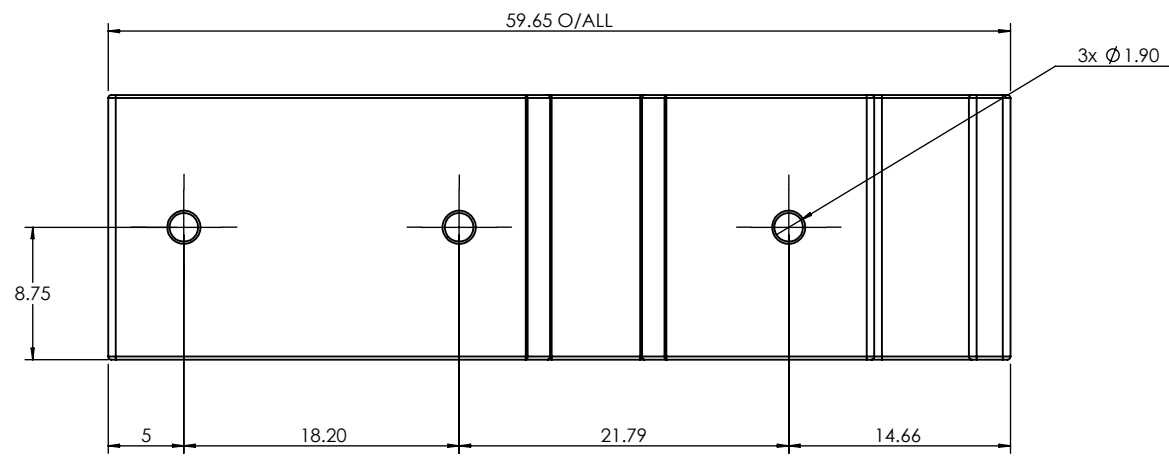
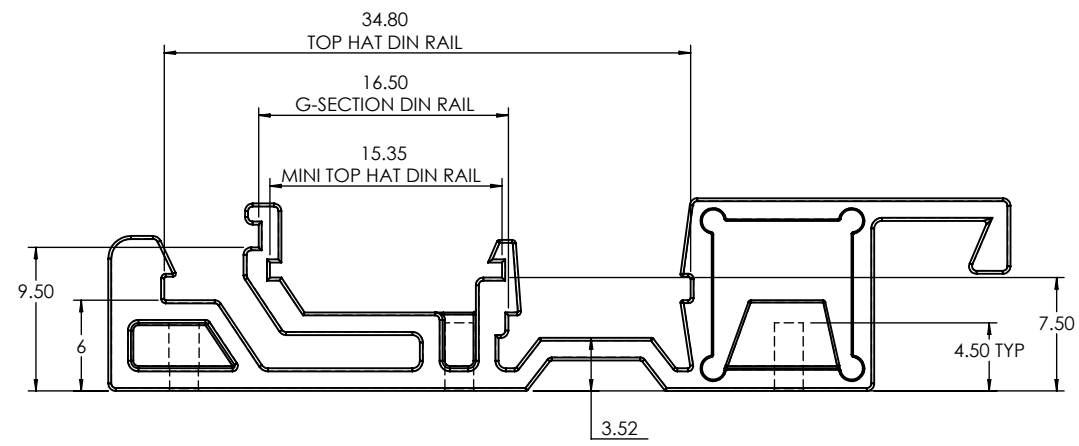
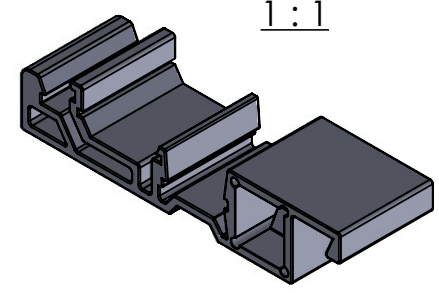


ISO VIEW  
1:1



				UNLESS OTHERWISE SPECIFIED: DIMENSIONS ARE IN MILLIMETERS		DO NOT SCALE DRAWING		REVISION. ○	
				GENERAL TOLERANCES +/- 0.2		TITLE: DIMENSION DRAWING FOR CDR-BRACKET			
				FINISH. LIGHT SPARK		DWG NO. CDR-BRACKET A4			
DRAWN	NAME IAN PAGANO	SIGNED I.P.	DATE 05/09/14	MATERIAL. PA UL 94 - V0 RAL: 9005		SCALE: 2:1		SHEET 1 OF 1	
CHK'D	MATHEW WALLACE	MJW	05/01/14	PROJECTION.					