

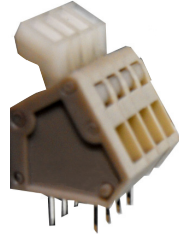


PCB TERMINAL BLOCKS

2.5mm Pitch Screwless Terminal Blocks

- Interlocking modules
- 45° degree cable entry
- Lever actuator cable release
- Moulded in UL94-V0 flame retardant PA66
- 0.2-0.5mm² (28-20AWG) solid cable
-  &  Approved

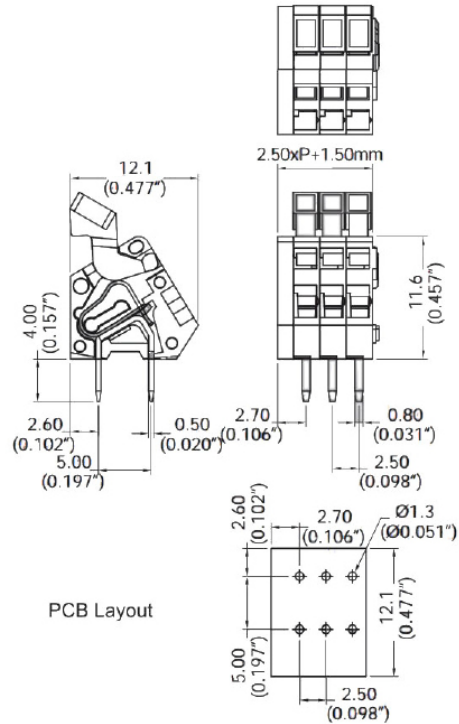
CSTBA45VC



SPECIFICATION

Rating	4A/130V
	UL=4A/150V, VDE=6A/130V
Operating temperature	-40°C to 105°C
Spring	Stainless strip steel
Pin Terminal	Brass/Tin Plated
PCB Hole Diameter	Ø1.3mm

TYPE NO.	LENGTH
CSTBA45VC/2	2 6.5mm
CSTBA45VC/3	3 9.0mm
CSTBA45VC/4	4 11.5mm
CSTBA45VC/5	5 14.0mm
CSTBA45VC/6	6 16.5mm
CSTBA45VC/7	7 19.0mm
CSTBA45VC/8	8 21.5mm
CSTBA45VC/9	9 24.0mm
CSTBA45VC/10	10 26.0mm
CSTBA45VC/11	11 29.0mm
CSTBA45VC/12	12 31.5mm
CSTBA45VC/13	13 34.0mm
CSTBA45VC/14	14 36.5mm
CSTBA45VC/15	15 39.0mm
CSTBA45VC/16	16 41.5mm
CSTBA45VC/17	17 44.0mm
CSTBA45VC/18	18 46.5mm
CSTBA45VC/19	19 49.0mm
CSTBA45VC/20	20 51.5mm
CSTBA45VC/21	21 54.0mm
CSTBA45VC/22	22 56.5mm
CSTBA45VC/23	23 59.0mm
CSTBA45VC/24	24 61.5mm



PCB
TERMINAL
BLOCKS

INTER-
CONNECTION

FUSES &
FUSE-
HOLDERS

LEDs &
INDICATORS

MINIATURE
SWITCHES

LIMIT &
SAFETY
SWITCHES

CONTROL
PRODUCTS

INTERFACE
MODULES &
SUPPORTS

RELAY
BASES

ENCLOSURES

BATTERIES

TRANS-
FORMERS