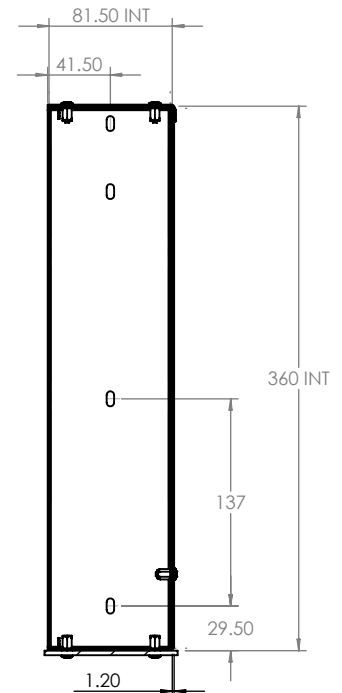
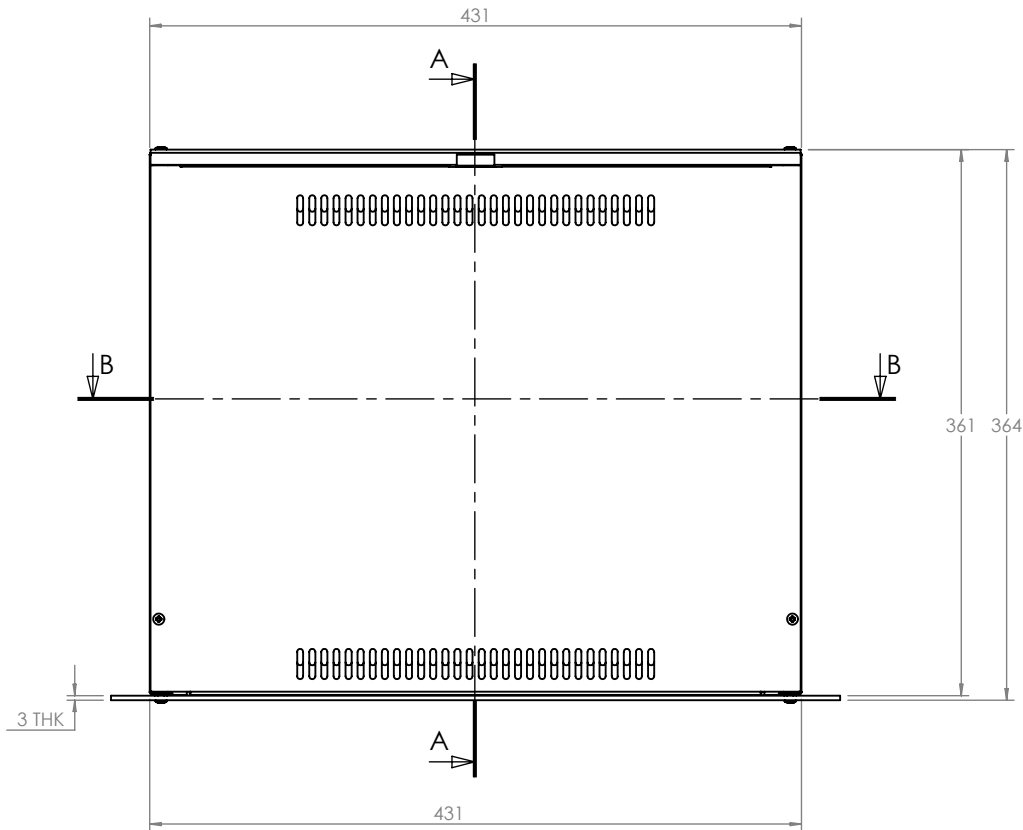
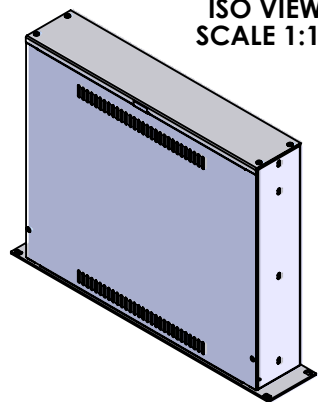


SECTION B-B



SECTION A-A

ISO VIEW  
SCALE 1:10



**CAMDENBOSS**  
ELECTRONICS & ENCLOSURES  
JAMES CARTER RD, MILDENHALL, SUFFOLK. IP28 7DE  
TEL: 01638 716101 FAX: 01638 716554  
EMAIL: Sales@CamdenBoss.com  
WEB: www.CamdenBoss.com

UNLESS OTHERWISE SPECIFIED:  
DIMENSIONS ARE IN MILLIMETERS

DO NOT SCALE DRAWING

REVISION. O

FINISH.

VAR

TITLE:

GNL ASSEMBLY DRG FOR  
180 SERIES- 2U 363 DEEP

MATERIAL.

VAR

DWG NO.

C19G2363B

A4

	NAME	SIGNED	DATE
DRAWN	IAN PAGANO	I.P	12/08/13
CHKD			

PROJECTION.



SCALE: 1 : 5

SHEET 1 OF 1