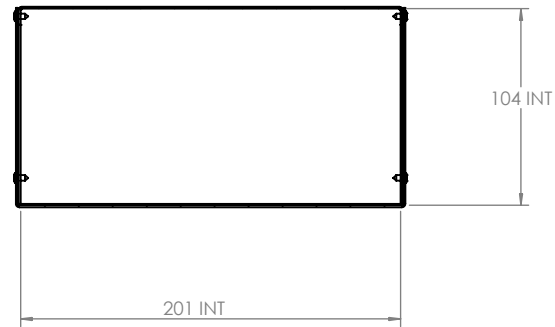
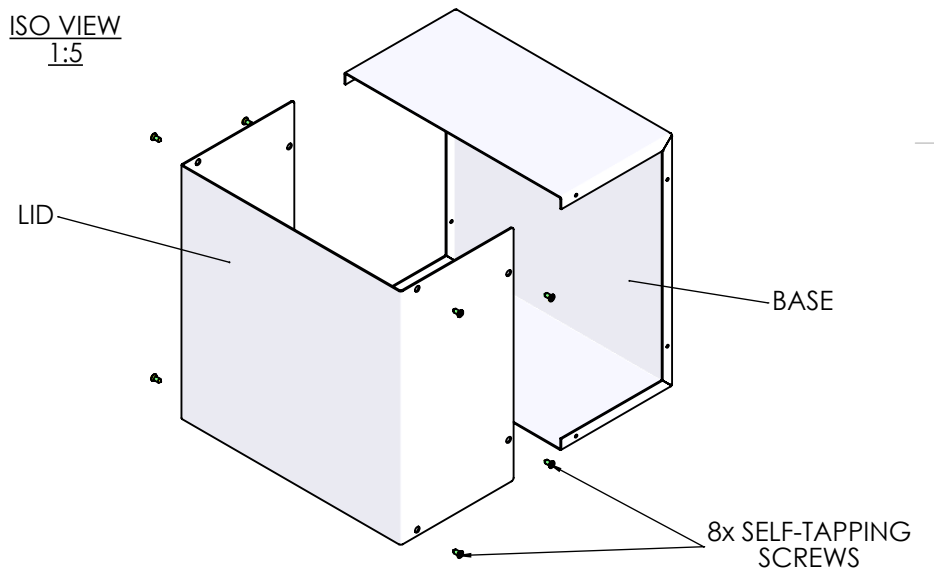


SECTION A-A



ISO VIEW
1:5



CAMDENBOSS
ELECTRONICS & ENCLOSURES

JAMES CARTER RD, MILDENHALL, SUFFOLK, IP28 7DE
TEL: 01 638 716101 FAX: 01 638 716554
EMAIL: Sales@CamdenBoss.com
WEB: www.CamdenBoss.com

UNLESS OTHERWISE SPECIFIED:
DIMENSIONS ARE IN MILLIMETERS

FINISH:
POLYESTER PAINT

MATERIAL:
1mm THK ALUMINIUM

DO NOT SCALE DRAWING

REVISION. 0

TITLE:

ASSEMBLY DRG FOR
MINIBOX SERIES

DWG NO.

CUABOX015

A4

	NAME	SIGNED	DATE
DRAWN	SUBKHANKULOVA	LS	29/07/09
CHKD	STUART HARDINGE	SJH	30/07/09

PROJECTION.



SCALE: 1 : 4

SHEET 1 OF 1