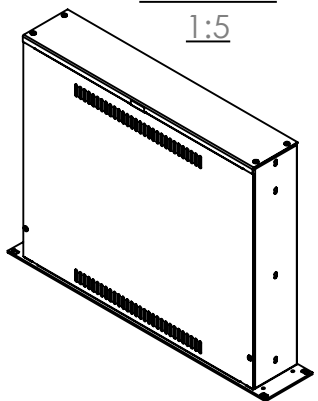


ISO VIEW
1:5



 JAMES CARTER RD, MILDENHALL, SUFFOLK. IP28 7DE TEL: 01638 716101 FAX: 01638 716554 EMAIL: Sales@CamdenBoss.com WEB: www.CamdenBoss.com				UNLESS OTHERWISE SPECIFIED: DIMENSIONS ARE IN MILLIMETERS		DO NOT SCALE DRAWING		REVISION. ○	
				GENERAL TOLERANCES +/- 0.2		TITLE: GNL ASSEMBLY DRG FOR 180 SERIES - 2U 363 DEEP			
FINISH. VAR				MATERIAL. VAR		DWG NO. C19G2363BH		A4	
DRAWN	IAN PAGANO	SIGNED	I.P.	DATE	23/09/15	SCALE: 1:5		SHEET 1 OF 1	
CHK'D	-	-	-	PROJECTION.					